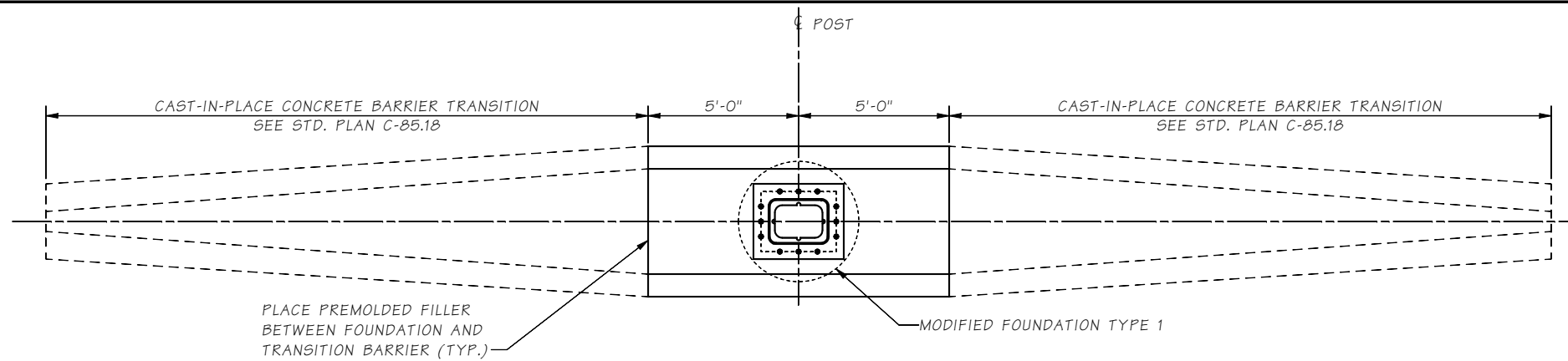
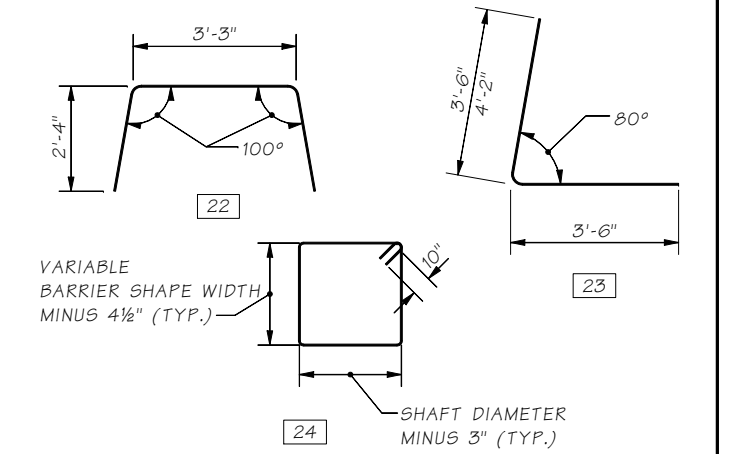


BENDING DIAGRAM

MARK	LOCATION	SIZE	NO. REQ'D	LENGTH	
21	BARRIER SHAPE HORIZONTAL	4	20	9'-9"	STR.
22	BARRIER SHAPE VERTICAL	5	14	7'-8"	
23	BARRIER SHAPE VERTICAL	5	28	6'-4"	
24	BARRIER SHAPE HOOP	5	"A"	"A"	

NOTE: CONCRETE COVER SHALL BE 1 1/2" UNLESS SHOWN OTHERWISE.
"A" ~ DETERMINE FROM PLANS



PLACE PREMOLDED FILLER BETWEEN FOUNDATION AND TRANSITION BARRIER (TYP.)

MODIFIED FOUNDATION TYPE 1

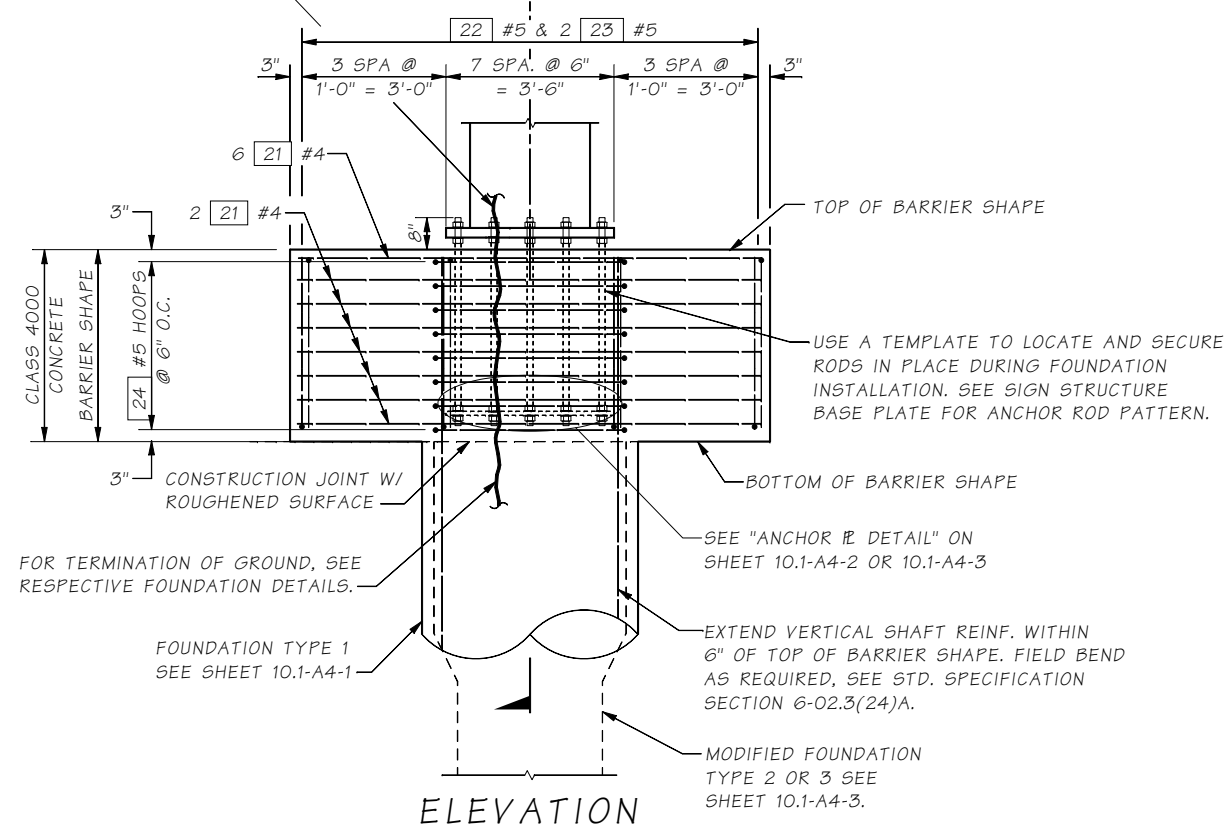
PLAN BARRIER TRANSITION

ANCHOR RODS NOT SHOWN.

GROUNDING CONDUCTOR NON-INSULATED #4 AWG STRANDED COPPER. PROVIDE 3'-0" MIN. SLACK. ROUTE CONDUCTOR TO GROUND WIRE TERMINAL SHOWN IN DETAIL 10.1-A1-2, 10.1-A2-2, OR 10.1-A3-2.

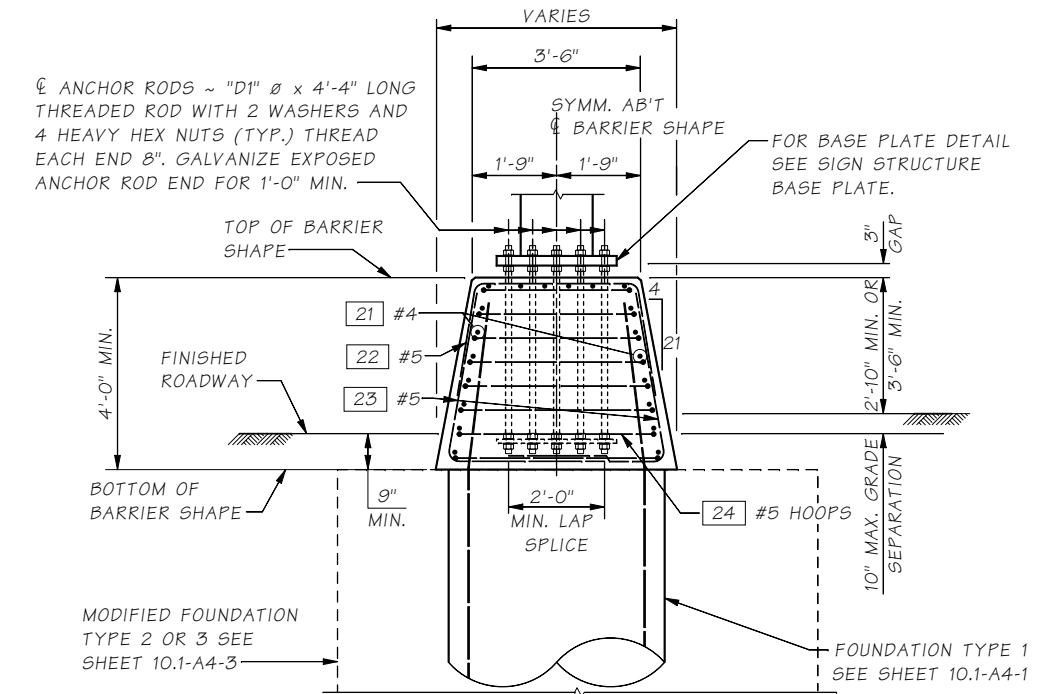


SIGN STRUCTURE & POST



ELEVATION

ANCHOR RODS ~ "D1" Ø x 4'-4" LONG THREADED ROD WITH 2 WASHERS AND 4 HEAVY HEX NUTS (TYP.) THREAD EACH END 8". GALVANIZE EXPOSED ANCHOR ROD END FOR 1'-0" MIN.



SECTION A

Last revised on : 04/23/2019

10.1-A5-3 SR JOB NO. SHEET

Bridge Design Engr.	M:\STANDARDS\Sign Bridges\MT_SIGN_BRIDGE_SINGLE_SLOPE_TRAFFIC_BARRIER_SHAPE_CAP.MAN						
Supervisor			REGION NO.	STATE	FED. AID PROJ. NO.	SHEET NO.	TOTAL SHEETS
Designed By			10	WASH.			
Checked By			JOB NUMBER				
Detailed By							
Bridge Projects Engr.							
Prelim. Plan By							
Architect/Specialist	DATE	REVISION	BY	APPD			

BRIDGE AND STRUCTURES OFFICE



STANDARD MONOTUBE SIGN STRUCTURES

MONOTUBE SIGN STRUCTURES
SINGLE SLOPE TRAFFIC BARRIER SHAPE CAP

BRIDGE SHEET NO.
SHEET
OF
SHEETS