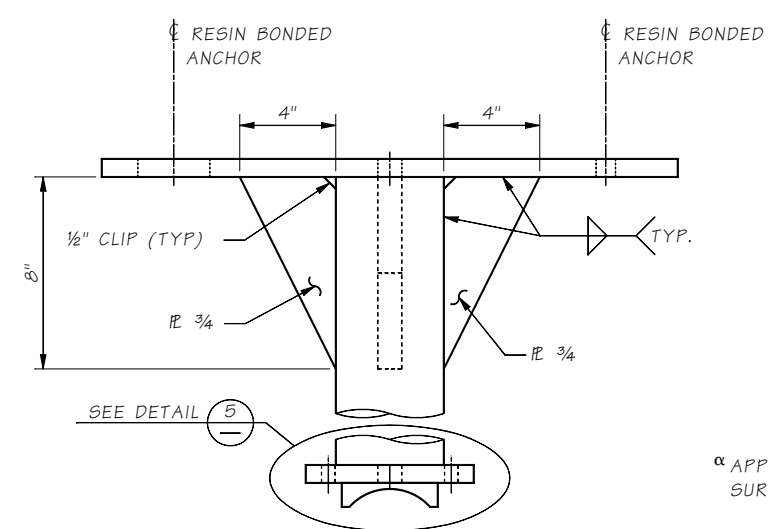
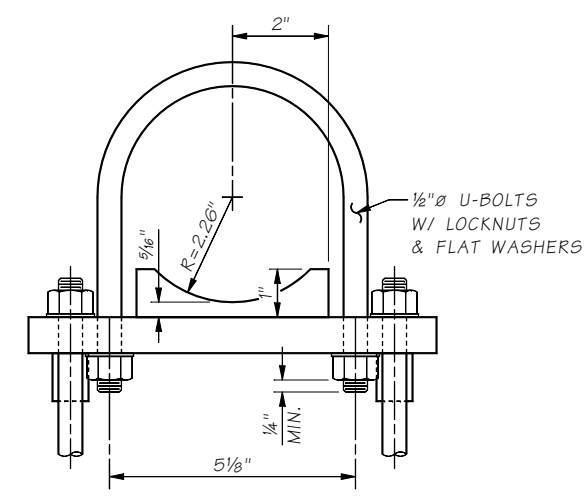
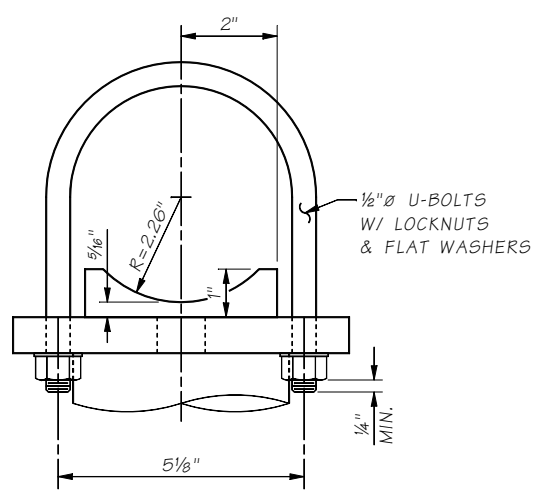
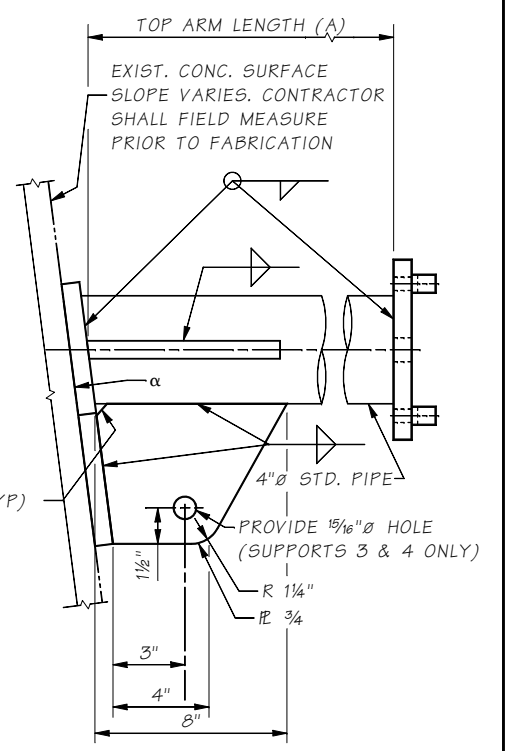
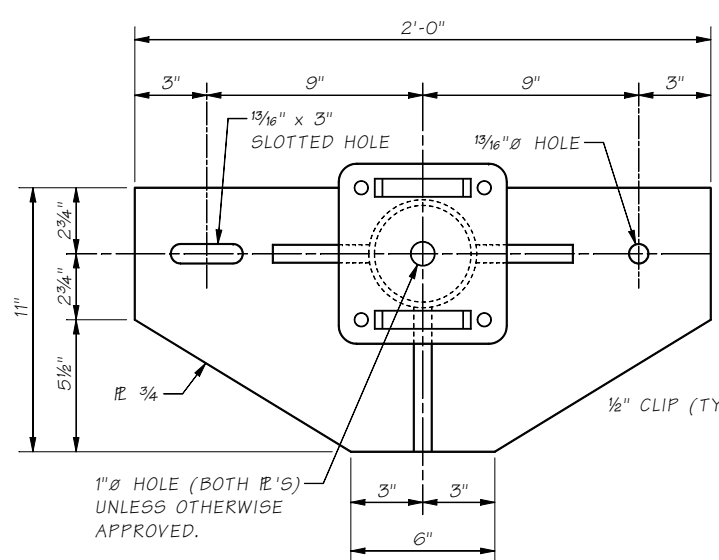
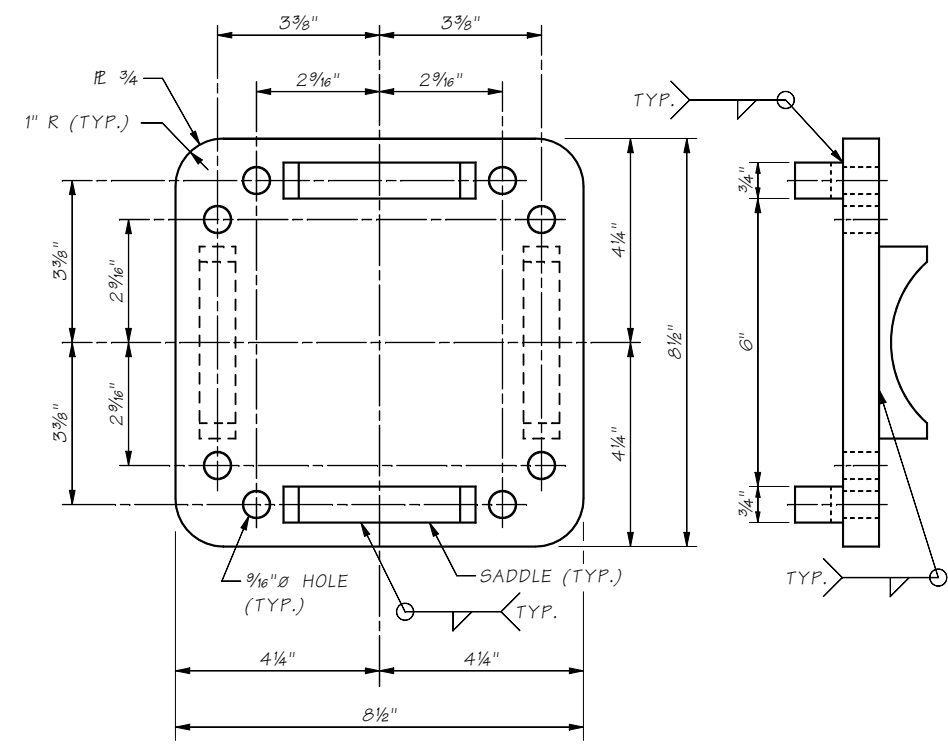
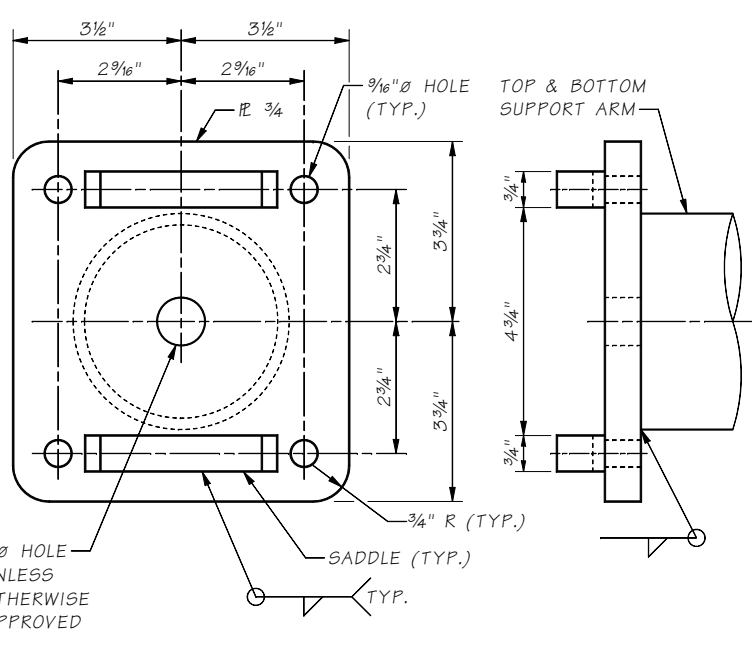


NOTES TO DESIGNER:
 1. REMOVE CALL OUTS AND LINEWORK IF BRACING ROD IS NOT USED.
 2. SHOW FORWARD OR BACK FACING SLOPE FOR TOP BRACKET ARM.



α APPLY EPOXY BONDING AGENT TO SURFACE FOR UNIFORM BEARING



DETAIL 5
2 & 3

DETAIL 6
2

DETAIL 1
2

LAST REVISED ON: 9/4/2014

SR FILE NO. SHEET NO. JOB NO.

10.1-A6-3

Bridge Design Engr.	M:\STANDARDS\Bridge Mounted Sign Brackets\3 - BMSB DETAILS 1 OF 3.MAN	REGION NO.	STATE	FED. AID PROJ. NO.	SHEET NO.	TOTAL SHEETS
Supervisor		10	WASH.			
Designed By		JOB NUMBER				
Checked By						
Detailed By						
Bridge Projects Engr.						
Prelim. Plan By						
Architect/Specialist	DATE	REVISION	BY	APPD		

BRIDGE AND STRUCTURES OFFICE



STANDARD BRIDGE MOUNTED SIGN BRACKET

BRIDGE MOUNTED SIGN BRACKET
DETAILS 1 OF 3

BRIDGE SHEET NO. 3
SHEET OF SHEETS