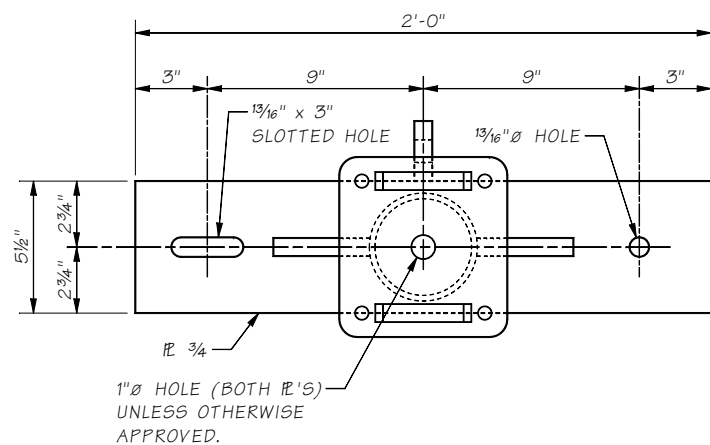
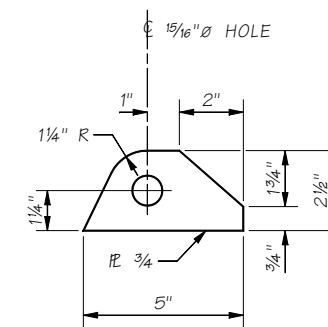
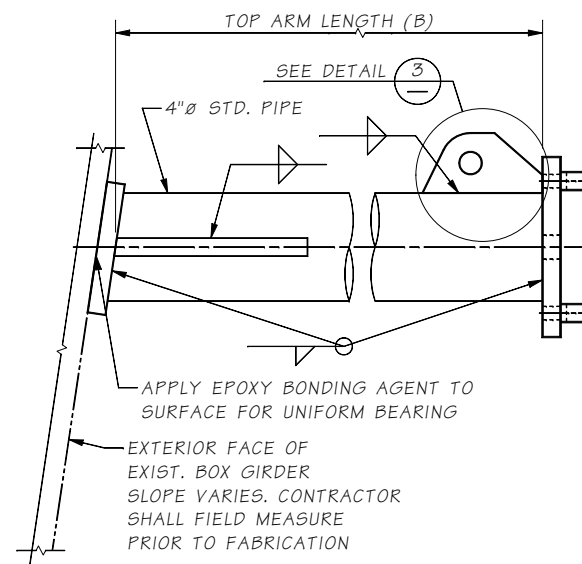


NOTES TO DESIGNER:

1. REMOVE DETAIL C IF BRACING ROD IS NOT USED. ALSO REMOVE CALL OUTS AND LINEWORK FROM OTHER DETAILS.
2. SHOW FORWARD OR BACK FACING SLOPE FOR BOTTOM BRACKET ARM.
3. INCLUDE GENERAL NOTE FOR NON-DESTRUCTIVE LOCATING OF REINFORCING AND PT DUCTS IF MOUNTING TO POST TENSIONED BOX GIRDER BRIDGE



DETAIL 2
2



DETAIL 3
1

Last Revised: 06/5/2018

SHEET

JOB NO. 10.1-AG-4B

Bridge Design Engr.							
Supervisor							
Designed By							
Checked By							
Detailed By							
Bridge Projects Engr.							
Prelim. Plan By							
Architect/Specialist							
DATE		REVISION		BY	APP'D		

BRIDGE AND STRUCTURES OFFICE



BRIDGE MOUNTED SIGN BRACKET
DETAILS 2 OF 3

BRIDGE SHEET NO.
SHEET
OF
SHEETS