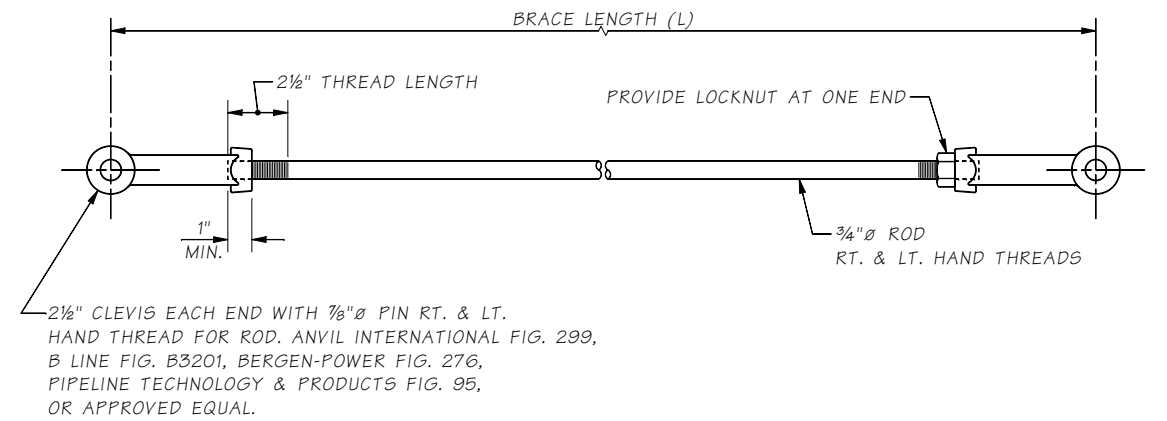
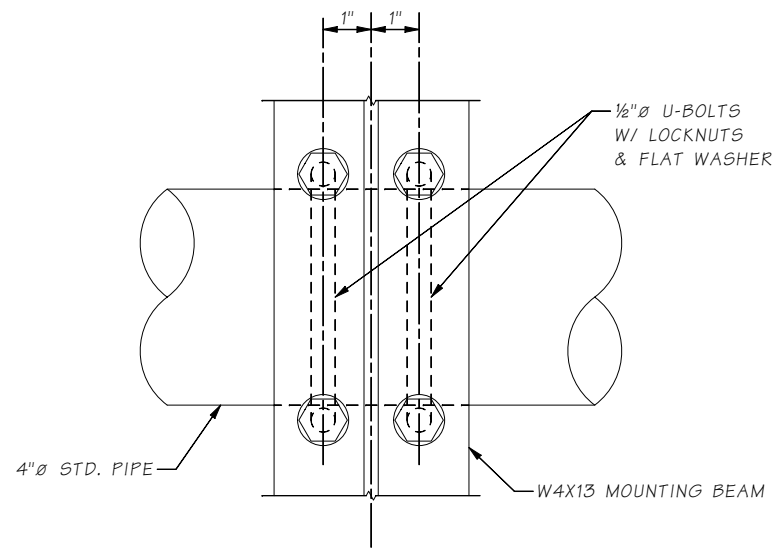


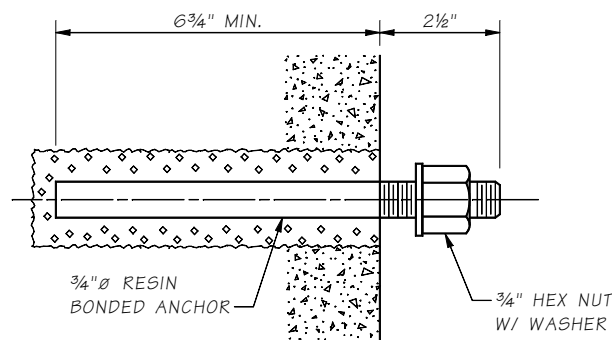
ARCHITECTURAL FINISH TREATMENT



DETAIL 4/2

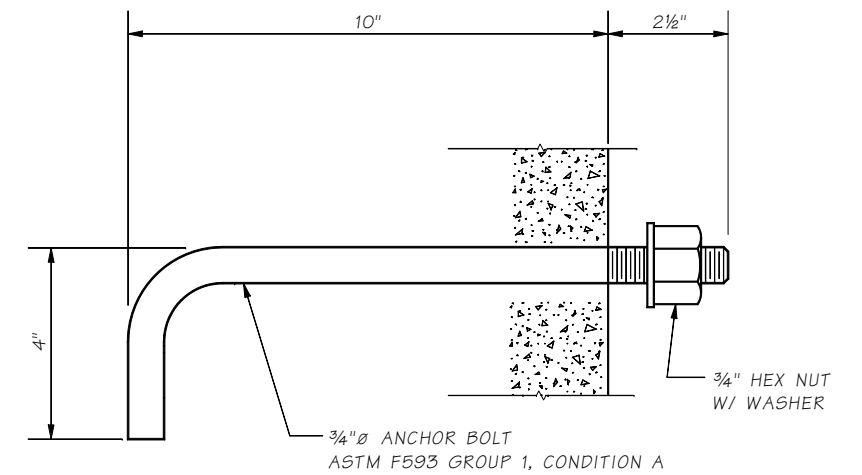


W4X13 CONNECTION DETAIL



RESIN BONDED ANCHOR DETAIL

INSTALL RESIN BONDED ANCHOR NORMAL TO CONCRETE SURFACE



ALTERNATE ANCHOR DETAIL

INSTALL ANCHOR NORMAL TO CONCRETE SURFACE. FOR NEW CONSTRUCTION ONLY.

LAST REVISED ON: 04/27/2016

1 SHEET OF 5

10.1-A6-5

Bridge Design Engr.	M:\STANDARDS\Bridge Mounted Sign Brackets\5 - BMSB DETAILS 3 OF 3.MAN					SHEET NO.	TOTAL SHEETS
Supervisor		REGION NO.	STATE	FED. AID PROJ. NO.			
Designed By		10	WASH.				
Checked By		JOB NUMBER					
Detailed By							
Bridge Projects Engr.							
Prelim. Plan By							
Architect/Specialist	DATE	REVISION	BY	APPD			

BRIDGE AND STRUCTURES OFFICE



STANDARD BRIDGE MOUNTED SIGN BRACKET

BRIDGE MOUNTED SIGN BRACKET DETAILS 3 OF 3

BRIDGE SHEET NO. 5 OF SHEETS