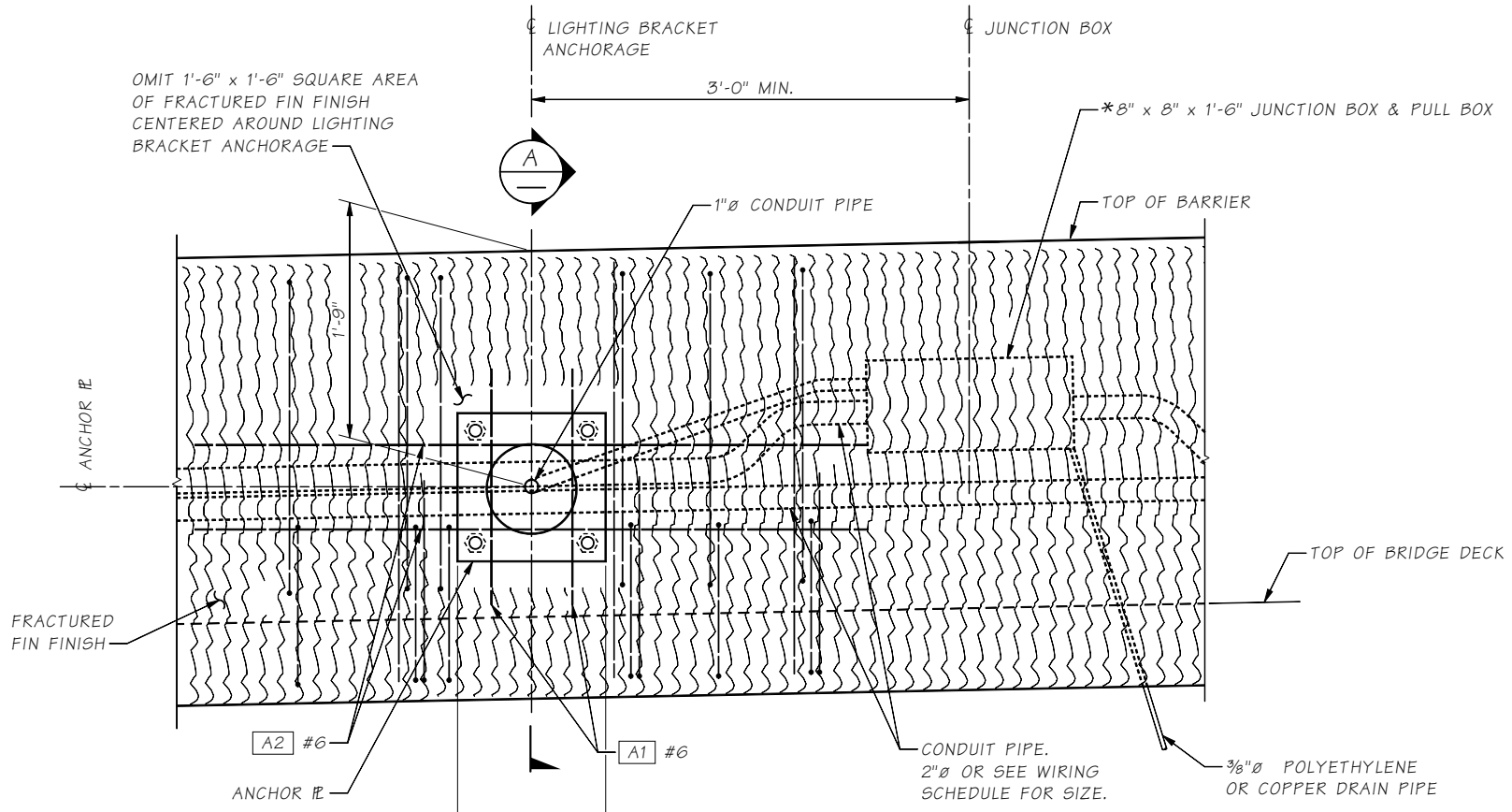
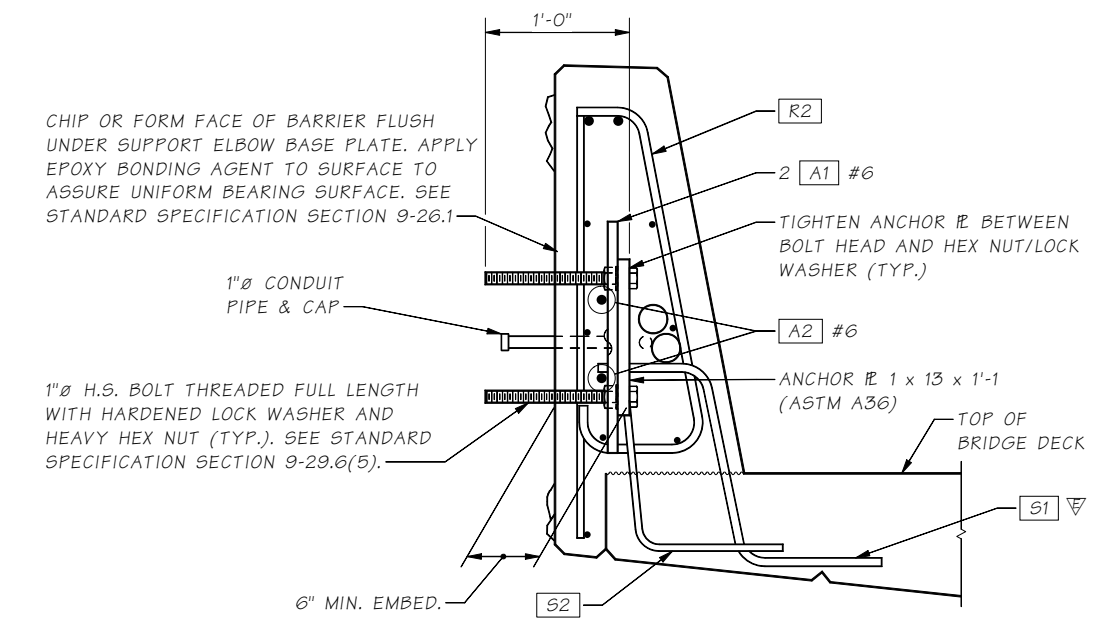


| ANCHORAGE BARLIST | | | |
|-------------------|------|--------|-----------|
| MARK # | SIZE | LENGTH | BEND TYPE |
| A1 | 6 | 1'-9" | STRAIGHT |
| A2 | 6 | 5'-0" | STRAIGHT |



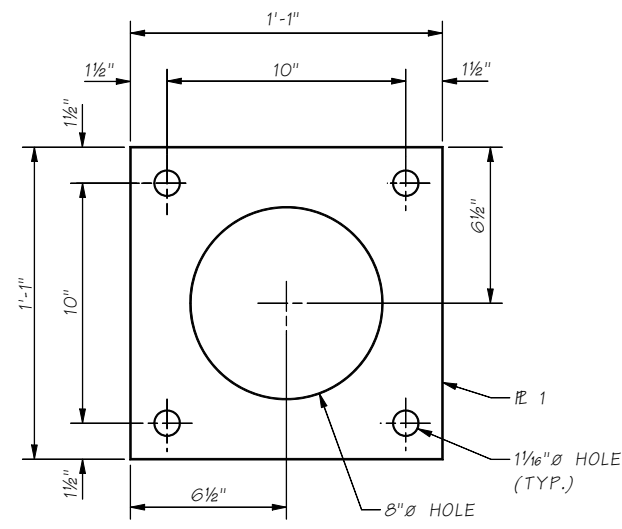
ELEVATION



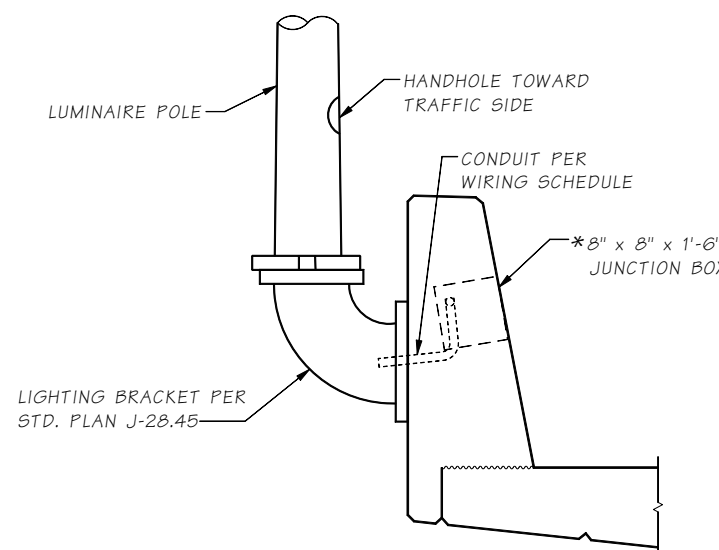
SECTION A
SEE TRAFFIC BARRIER SHEETS FOR INFORMATION NOT SHOWN.

S1, S2 AND R2 BARS THAT OCCUR IN THIS AREA ARE TO BE MOVED TO THE NEAREST EDGE OF THE ANCHOR PLATE.

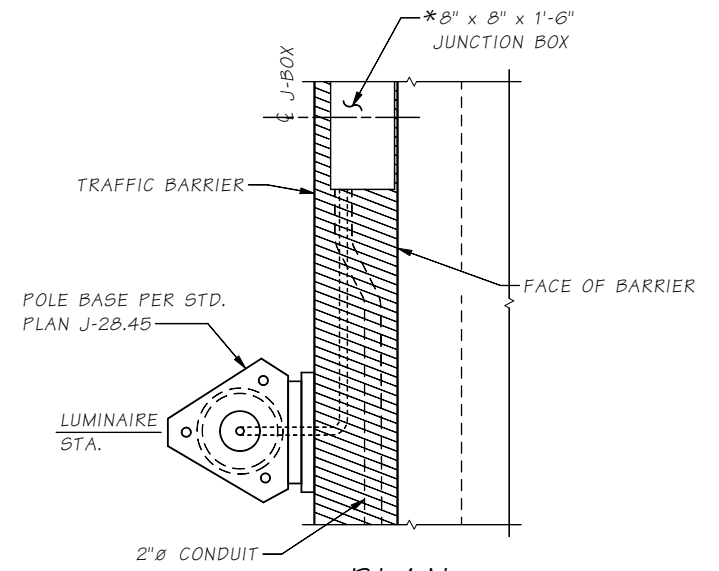
* NEMA 4X IN STATIONARY FORM BARRIER, OR NEMA 3R IN SLIP FORM BARRIER. MOUNT JUNCTION BOX SO COVER IS FLUSH WITH BARRIER, CAN BE RECESSED UP TO 1/8".



ANCHOR PLATE
GALVANIZE PER AASHTO M 111



ELEVATION PROFILE LUMINAIRE SUPPORT
SHOWN FOR BRIDGE, WALLS ARE SIMILAR



PLAN

NOTE: INSTALL ALL CONDUIT RUNS TO DRAIN TO A BRIDGE END OR PROVIDE DRAIN AT ALL LOW POINTS WITHIN CONDUIT RUN. SEE "TRAFFIC BARRIER SHEETS" FOR BARRIER DIMENSIONS.

| LUMINAIRE POLE LOCATIONS ON BRIDGE & WALLS | |
|--|-----------|
| STATION | OFFSET |
| XXX 0+000.000 | 0.000 RT. |
| XXX 0+000.000 | 0.000 RT. |

LAST REVISED: 5/14/2014

SHEET NO. 10.2-A7-2

| | | | | | | | |
|-----------------------|---|------------|-------|--------------------|-----------|--------------|--|
| Bridge Design Engr. | M:\STANDARDS\Traffic Barriers\Luminaire\LUMANCHORAGE-SSTB.MAN | | | | | | |
| Supervisor | | REGION NO. | STATE | FED. AID PROJ. NO. | SHEET NO. | TOTAL SHEETS | |
| Designed By | | 10 | WASH. | | | | |
| Checked By | | JOB NUMBER | | | | | |
| Detailed By | | | | | | | |
| Bridge Projects Engr. | | | | | | | |
| Prelim. Plan By | | | | | | | |
| Architect/Specialist | DATE | REVISION | BY | APP'D | | | |

Mon Jun 29 08:47:04 2015

BRIDGE AND STRUCTURES OFFICE



STANDARD TRAFFIC BARRIERS
TRAFFIC BARRIER - SINGLE SLOPE
LUMINAIRE ANCHORAGE DETAILS

BRIDGE SHEET NO.
SHEET
OF
SHEETS