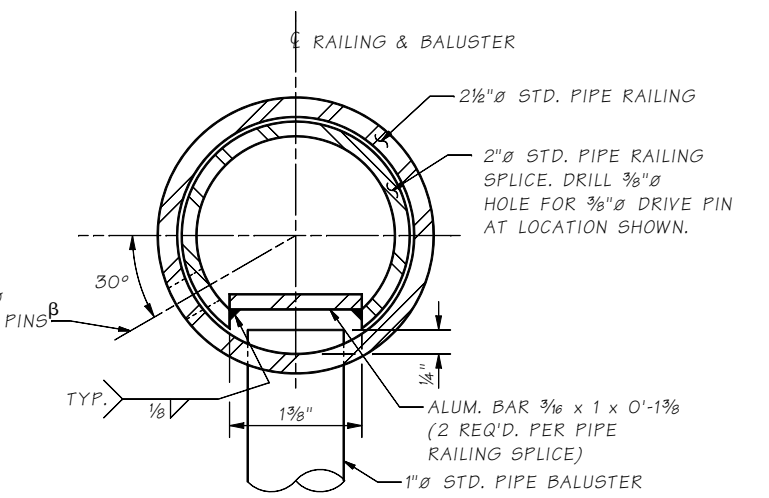
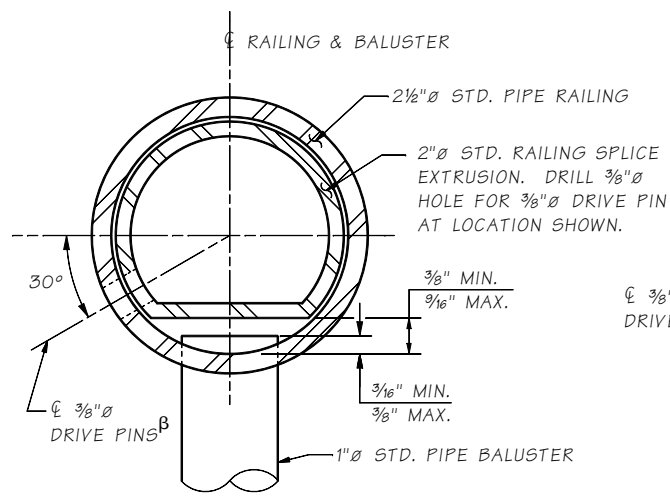
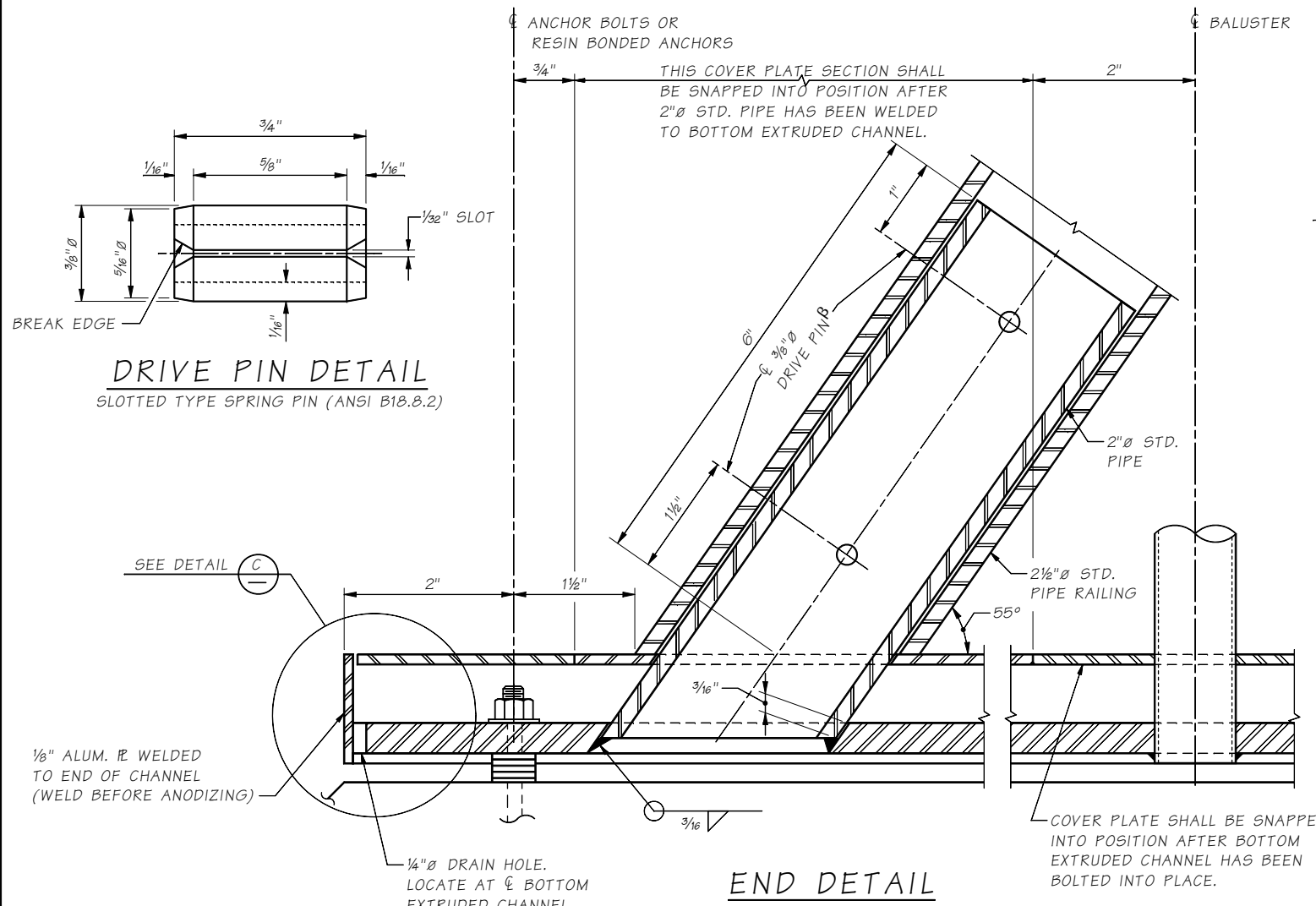


Last revised on : 9/14/2018

SR JOB NO. 10.5-A1-2



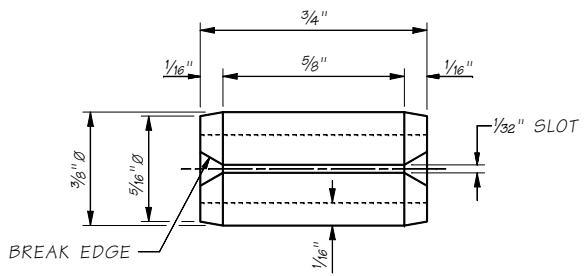
SECTION A
OPTION #1

SECTION A
OPTION #2

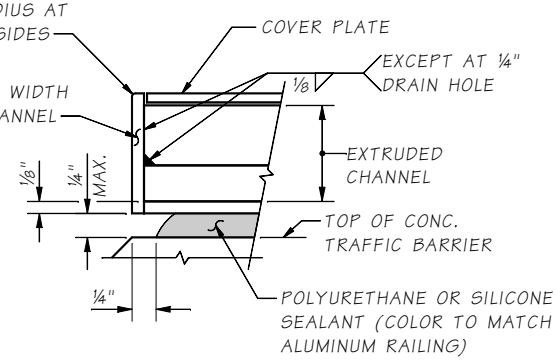
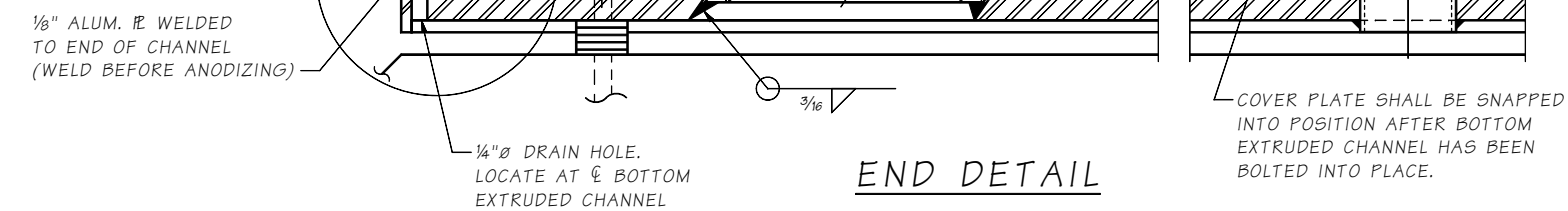
β LOCATE ON OPPOSITE SIDE OF TRAFFIC. DRIVE PINS SHALL BE DRIVEN FLUSH WITH THE OUTSIDE FACE OF THE RAILING.

β LOCATE ON OPPOSITE SIDE OF TRAFFIC. DRIVE PINS SHALL BE DRIVEN FLUSH WITH THE OUTSIDE FACE OF THE RAILING.

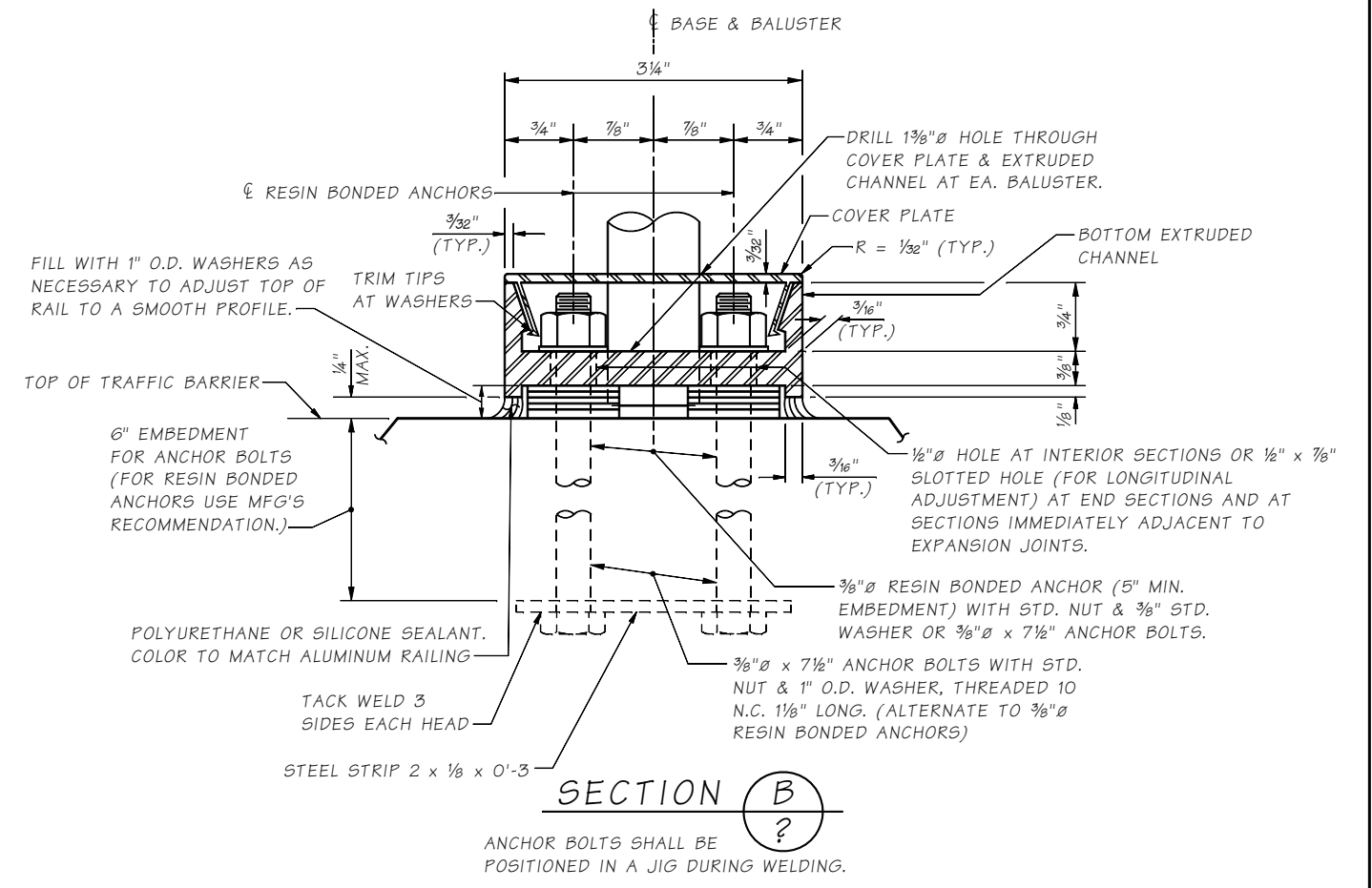
DRIVE PIN DETAIL
SLOTTED TYPE SPRING PIN (ANSI B18.8.2)



END DETAIL



DETAIL C
DRAIN HOLES NOT SHOWN



SECTION B

MAT'L	PART	MATERIAL SPECIFICATION
ALUMINUM	PIPES	ASTM B221-6005-T5 OR 6005A-T5 ASTM B241-6061-T6 OR B429
ALUMINUM	EXTRUDED CHANNELS, COVER PLATES & BAR	ASTM B221- 6005-T5 OR 6005A-T5
STEEL	ANCHOR BOLTS, NUTS & WASHERS	STANDARD SPECIFICATION SECTION 9-06.5(4) (GALVANIZE IN ACCORDANCE WITH AASHTO SPECIFICATION M 232)
STEEL	STRIP	ASTM A36
STEEL	DRIVE PINS	ASTM A276 OR A240 TYPE 302 STAINLESS STEEL

Bridge Design Engr.	M:STANDARD\BP Rails\Ped_Rail2.MAN	REGION NO.	STATE	FED. AID PROJ. NO.	SHEET NO.	TOTAL SHEETS
Supervisor		10	WASH.			
Designed By		JOB NUMBER				
Checked By						
Detailed By						
Bridge Projects Engr.						
Prelim. Plan By						
Architect/Specialist	DATE	REVISION	BY	APP'D		

Mon Sep 17 09:34:58 2018

BRIDGE AND STRUCTURES OFFICE



STANDARD RAILINGS
BRIDGE RAILING TYPE PEDESTRIAN RAILING
DETAILS 2 OF 2

BRIDGE SHEET NO.
SHEET
OF
SHEETS