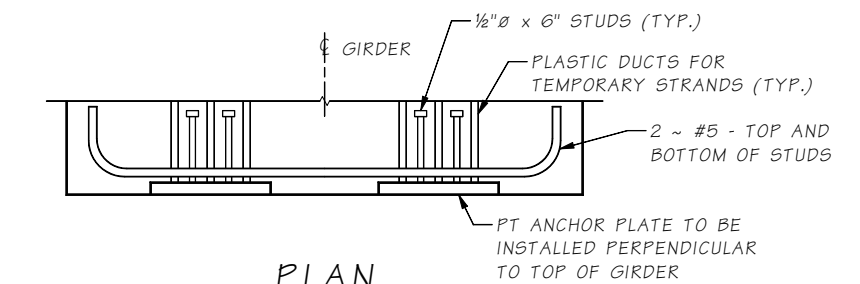
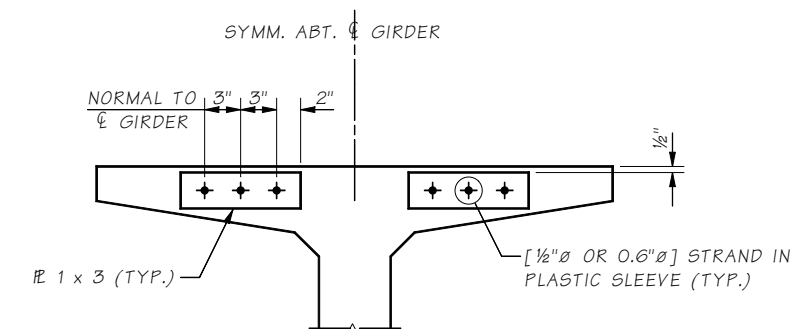


**PLAN  
PRETENSIONED TEMPORARY  
TOP STRANDS**

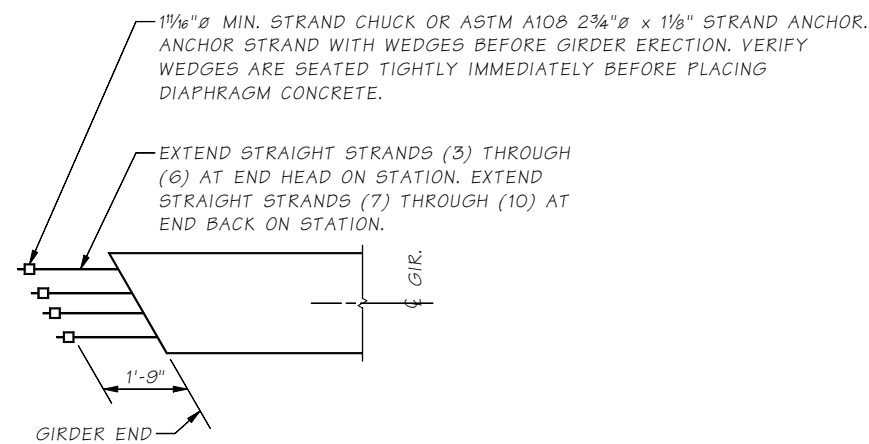
POST-TENSIONED TEMPORARY TOP STRANDS SIMILAR, EXCEPT 10'-0" LENGTH OF BONDING OCCURS AT ONE END ONLY. THE OPPOSING END IS ANCHORED WITH PLATES AND STRAND CHUCKS. SEE "GIRDER SCHEDULE" FOR NUMBER OF TEMPORARY STRANDS REQUIRED.



**PLAN  
TEMPORARY STRAND  
POST-TENSIONED ALTERNATE**

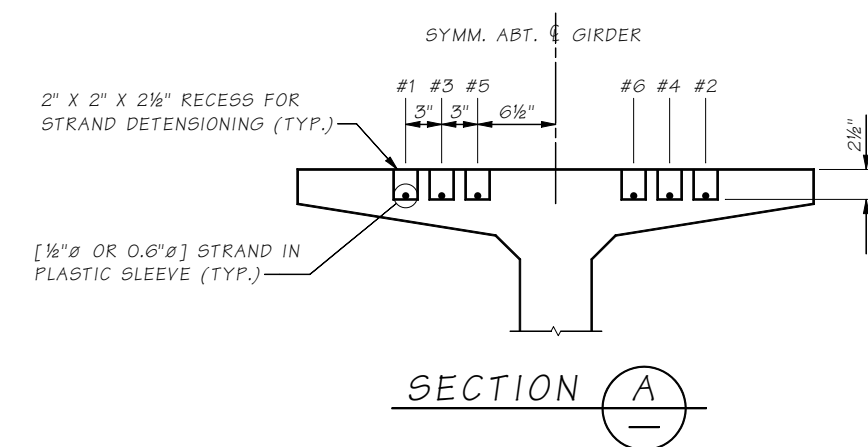


**END VIEW  
TEMPORARY STRAND  
POST-TENSIONED ALTERNATE**



**STRAND EXTENSION DETAIL**

Number of extended strands shall be determined by the designer.



**SECTION A**

Last revised: 03/20/19

JOB NO. 3 SHEET 3

5.6-A3-10

Bridge Design Engr.	M:\STANDARDS\Girders\W74G\W74G3.man		REGION NO.	STATE	FED. AID PROJ. NO.	SHEET NO.	TOTAL SHEETS
Supervisor			10	WASH.			
Designed By			JOB NUMBER				
Checked By							
Detailed By							
Bridge Projects Engr.							
Prelim. Plan By							
Architect/Specialist	DATE	REVISION	BY	APPD			

**BRIDGE  
AND  
STRUCTURES  
OFFICE**



**STANDARD  
PRESTRESSED CONCRETE GIRDERS**

W74G GIRDER  
DETAILS 3 OF 3

BRIDGE SHEET NO.  
SHEET  
OF  
SHEETS