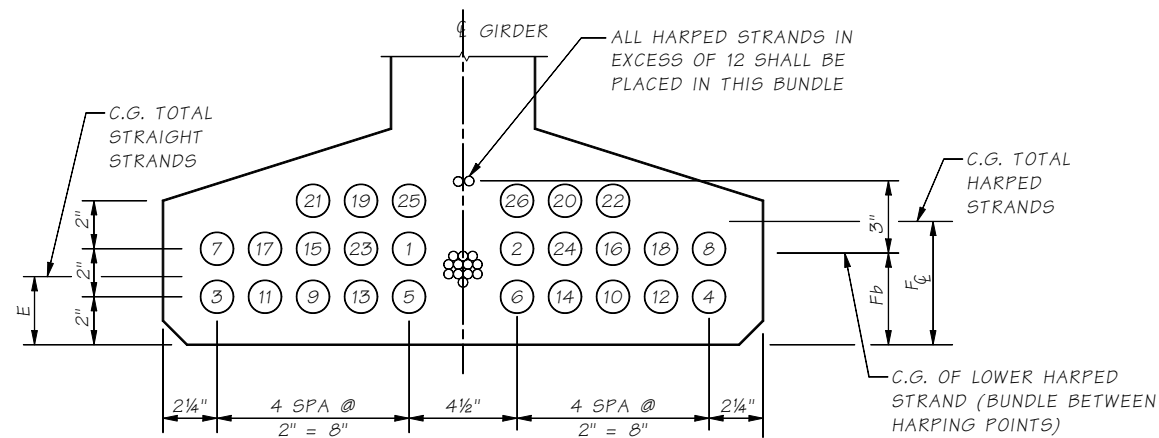


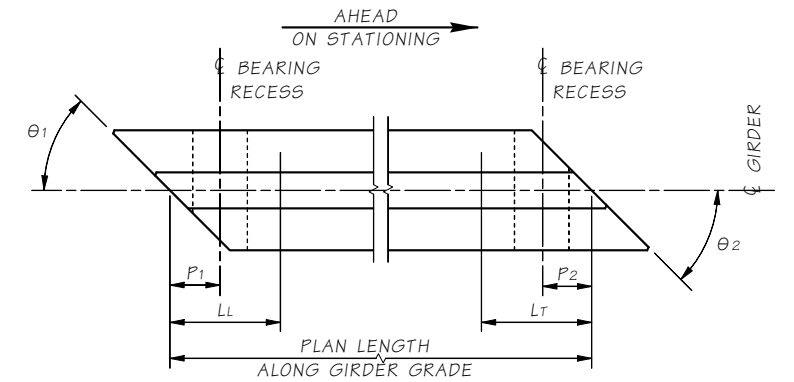
**STRAND PATTERN AT GIRDER END**

HARPED STRAND LOCATION SEQUENCE SHALL BE AS SHOWN (1), (2) ETC.



**STRAND PATTERN AT  $\phi$  SPAN**

STRAIGHT STRAND LOCATION SEQUENCE SHALL BE AS SHOWN (1), (2) ETC.



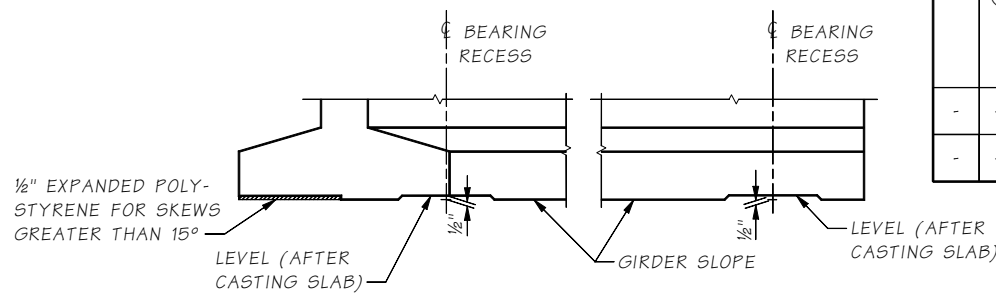
END 1

END 2

NOTE:  
LL AND LT ARE SHIPPING SUPPORT LOCATIONS AT LEADING AND TRAILING ENDS, RESPECTIVELY.

**GIRDER SCHEDULE**

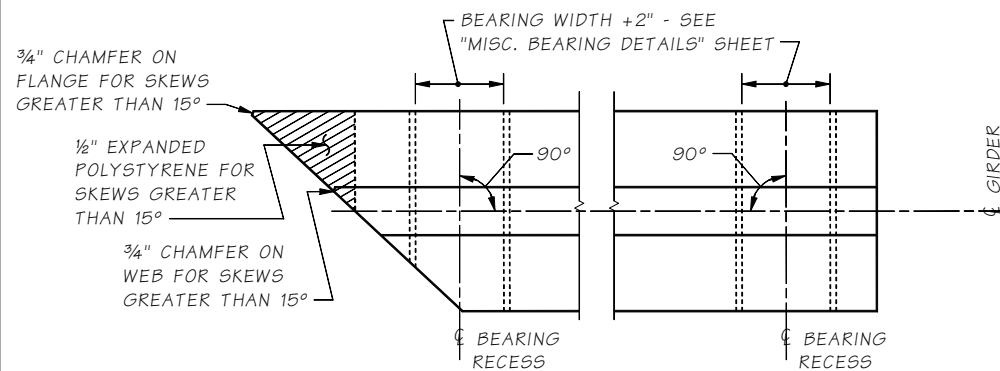
DIMENSION "A" AT $\phi$ BEARINGS =											BASED ON GIRDER DEFLECTION = "D" AT TIME OF SLAB PLACEMENT (120 DAYS)																
SPAN	GIRDER	END 1 TYPE	END 2 TYPE	L	LL	LT	$\theta_1$ (DEG.)	$\theta_2$ (DEG.)	P1	P2	PLAN LENGTH (ALONG GIRDER GRADE)	MIN. CONC. COMP. STRENGTH		HARPED		STRAIGHT		TEMPORARY		LOCATION OF C.G. STRANDS				C	D @ 40 DAYS	D @ 120 DAYS	Ld
												@ FINAL F/C (KSI)	@ RELEASE F/C (KSI)	NO. OF STRANDS	JACKING FORCE (KIPS)	NO. OF STRANDS	JACKING FORCE (KIPS)	NO. OF STRANDS	JACKING FORCE (KIPS)	E	F $\phi$	Fb	Fo				
-	-	-	-	-	-	-	-	-	-	-	-	-	-	-	-	-	-	-	-	-	-	-	-	-	-	-	
-	-	-	-	-	-	-	-	-	-	-	-	-	-	-	-	-	-	-	-	-	-	-	-	-	-	-	



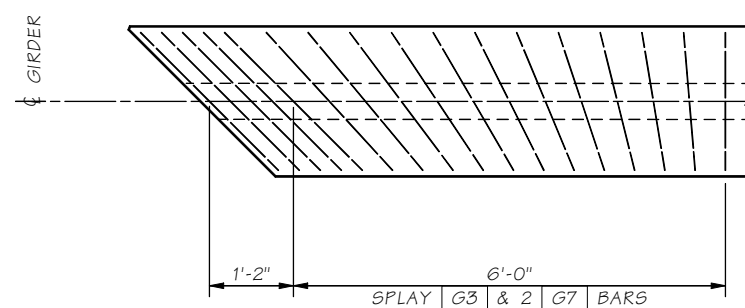
**ELEVATION**

NOTE: Dimensions shall be shown in Imperial units to the nearest 1/8th inch.

The number of harped strands should not exceed 1/2 of the number of straight strands.

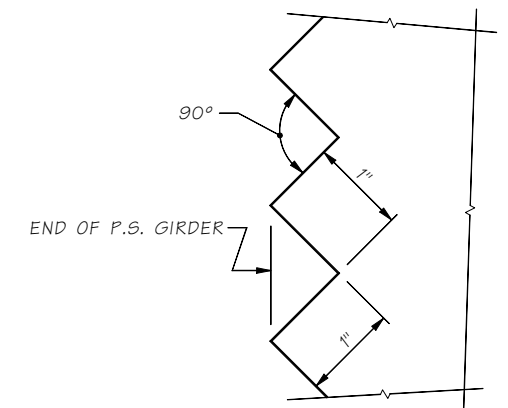


**PLAN BEARING RECESS AND BOTTOM FLANGE SPALL PROTECTION**



**TRANSVERSE REINFORCING SKEWED ENDS**

ONLY TRANSVERSE REINF. SHOWN



**SAWTOOTH DETAILS**

SAWTEETH ARE FULL WIDTH - USE SAWTOOTH KEYS FROM BOTTOM OF BOTTOM FLANGE TO BOTTOM OF LOWEST HARPED STRAND AS WELL AS TOP FLANGE ADJACENT TO HARPED STRANDS AS SHOWN IN VIEW B - GIRDER DETAILS 1 OF 3

06-A3-0

SR JOB NO. SHEET

Bridge Design Engr.	M:\STANDARDS\Girders\W58G\W58G2.man	REGION NO.	STATE	FED. AID PROJ. NO.	SHEET NO.	TOTAL SHEETS
Supervisor		10	WASH.			
Designed By		JOB NUMBER				
Checked By						
Detailed By						
Bridge Projects Engr.						
Prelim. Plan By						
Architect/Specialist	DATE	REVISION	BY	APPD.		

Wed Mar 04 13:02:47 2015

BRIDGE AND STRUCTURES OFFICE



STANDARD PRESTRESSED CONCRETE GIRDERS

W58G GIRDER DETAILS 2 OF 3

BRIDGE SHEET NO. SHEET OF SHEETS