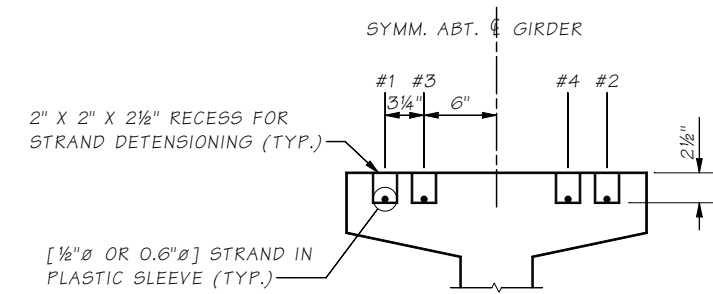
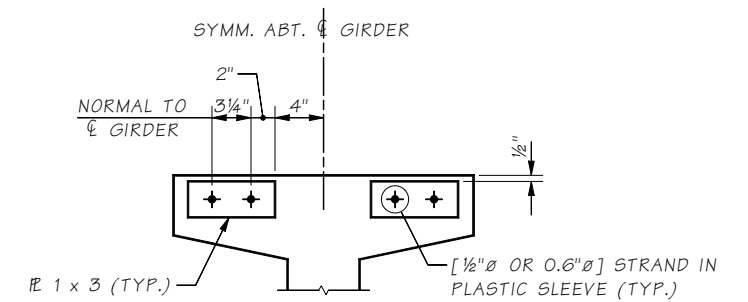


**PLAN  
PRETENSIONED TEMPORARY  
TOP STRANDS**

POST-TENSIONED TEMPORARY TOP STRANDS SIMILAR, EXCEPT 10'-0" LENGTH OF BONDING OCCURS AT ONE END ONLY. THE OPPOSING END IS ANCHORED WITH PLATES AND STRAND CHUCKS. SEE "GIRDER SCHEDULE" FOR NUMBER OF TEMPORARY STRANDS REQUIRED.

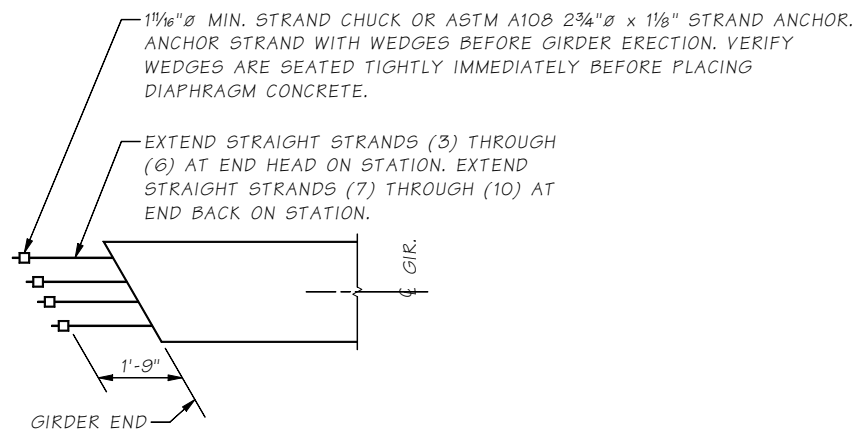


**SECTION A**



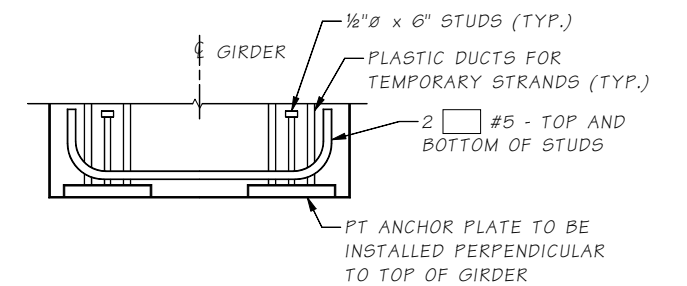
**END VIEW  
TEMPORARY STRAND  
POST-TENSIONED ALTERNATE**

ADJUST #4 BARS TO CLEAR THE STEEL PLATE



**STRAND EXTENSION DETAIL**

Number of extended strands shall be determined by the designer.



**PLAN  
TEMPORARY STRAND  
POST-TENSIONED ALTERNATE**

Last revised: 03/20/19

JOB NO. 3 SHEET

5.6-A3-7

Bridge Design Engr.	M:\STANDARDS\Girders\W\W58G\W58G3.man				REGION NO.	STATE	FED. AID PROJ. NO.	SHEET NO.	TOTAL SHEETS
Supervisor					10	WASH.			
Designed By					JOB NUMBER				
Checked By									
Detailed By									
Bridge Projects Engr.									
Prelim. Plan By									
Architect/Specialist	DATE	REVISION	BY	APPD					

Wed Aug 28 09:42:29 2019

**BRIDGE  
AND  
STRUCTURES  
OFFICE**



**STANDARD  
PRESTRESSED CONCRETE GIRDERS**

W58G GIRDER  
DETAILS 3 OF 3

BRIDGE SHEET NO.  
SHEET  
OF  
SHEETS