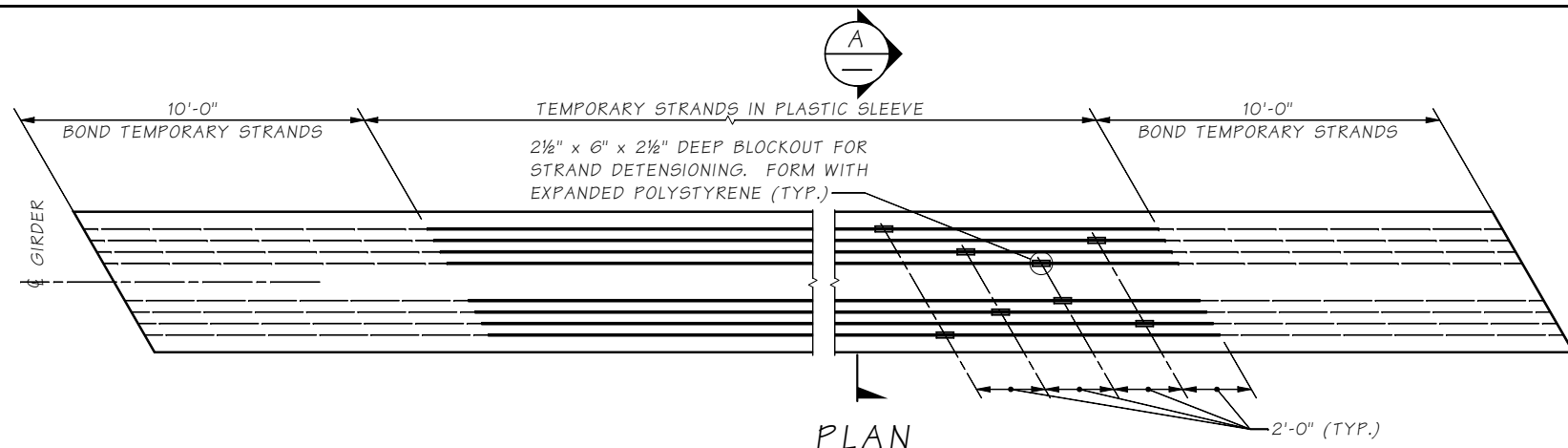


Last revised on : 04/07/2016

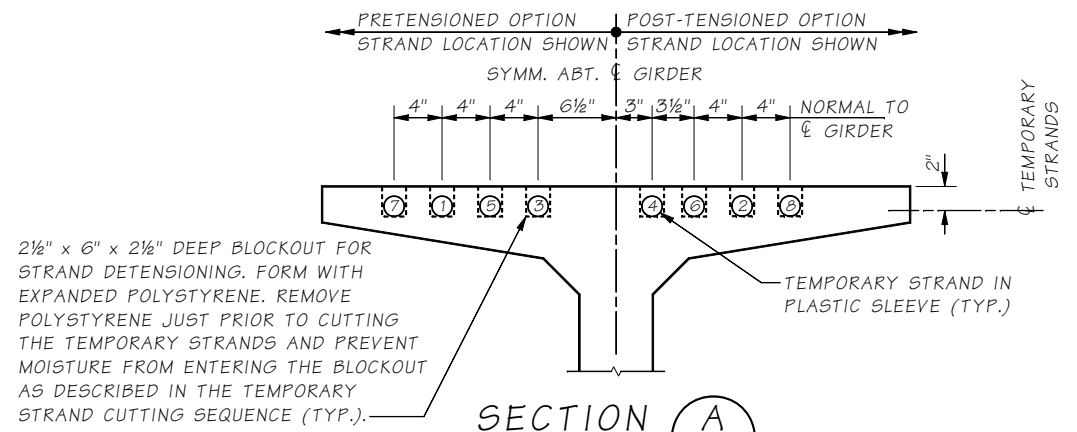
SR FILE NO. SHEET NO.

5.6-A4-5



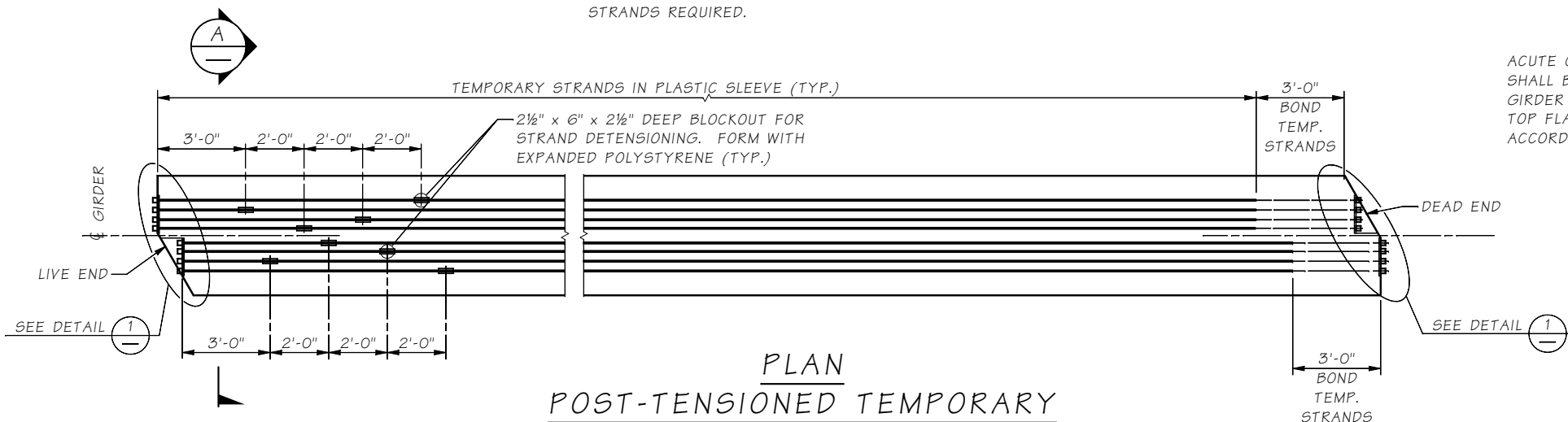
PLAN
PRETENSIONED TEMPORARY TOP STRANDS ALTERNATE

SEE GIRDER SCHEDULE FOR NUMBER OF TEMPORARY STRANDS REQUIRED.



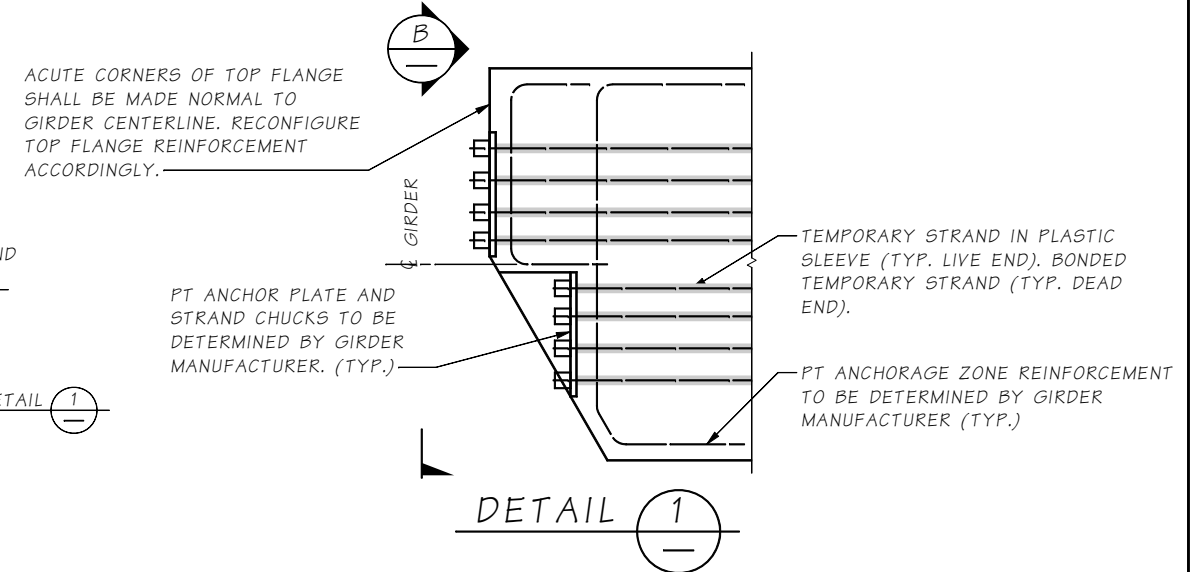
SECTION A

NOTES:
1. TEMPORARY STRAND LOCATION SEQUENCE SHALL BE AS SHOWN ①, ② ETC.



PLAN
POST-TENSIONED TEMPORARY TOP STRANDS ALTERNATE

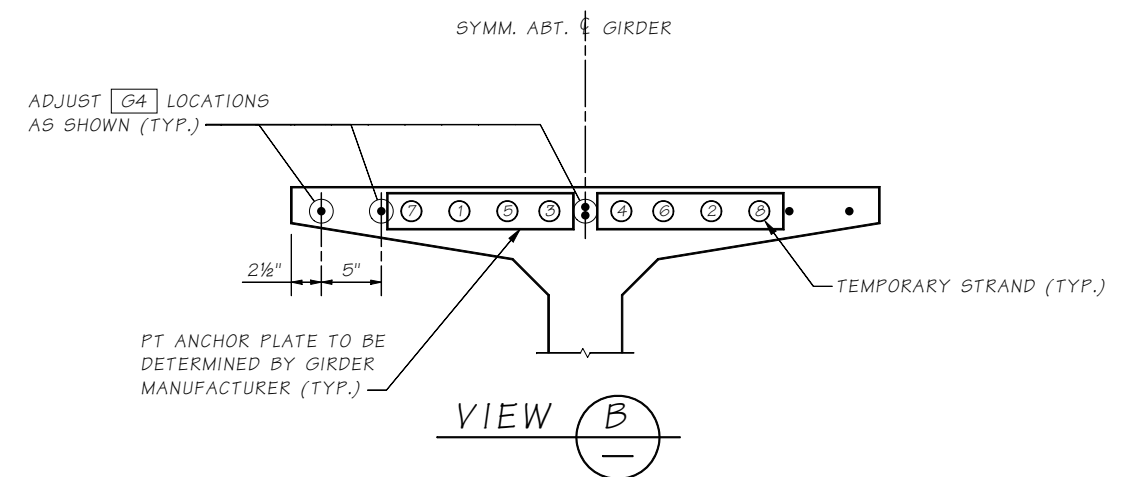
SEE GIRDER SCHEDULE FOR NUMBER OF TEMPORARY STRANDS REQUIRED.



DETAIL 1

TEMPORARY STRAND NOTES

1. TEMPORARY TOP STRANDS SHALL BE EITHER PRETENSIONED OR POST-TENSIONED IN ACCORDANCE WITH STANDARD SPECIFICATION SECTION 6-02.3(25)L.
2. FOR GIRDERS ERECTED ON A LONGITUDINAL GRADE, STRAND DETENSIONING BLOCKOUTS SHALL BE PLACED AT THE LOW END OF THE GIRDER.
3. SEE "TEMPORARY STRAND CUTTING SEQUENCE" ON CONSTRUCTION SEQUENCE SHEET FOR TEMPORARY STRAND DETENSIONING PROCEDURE.



VIEW B

Bridge Design Engr.		M:\STANDARDS\Girders\WFWF GIRDER DETAILS 5 OF 5.MAN					
Supervisor		REGION NO.	STATE	FED. AID PROJ. NO.	SHEET NO.	TOTAL SHEETS	
Designed By		10	WASH.				
Checked By		JOB NUMBER					
Detailed By							
Bridge Projects Engr.							
Prelim. Plan By							
Architect/Specialist	DATE	REVISION	BY	APPD			

Wed May 25 09:02:57 2016

BRIDGE AND STRUCTURES OFFICE



STANDARD PRESTRESSED CONCRETE GIRDERS
WF GIRDER
DETAILS 5 OF 5

BRIDGE SHEET NO.
SHEET
OF
SHEETS