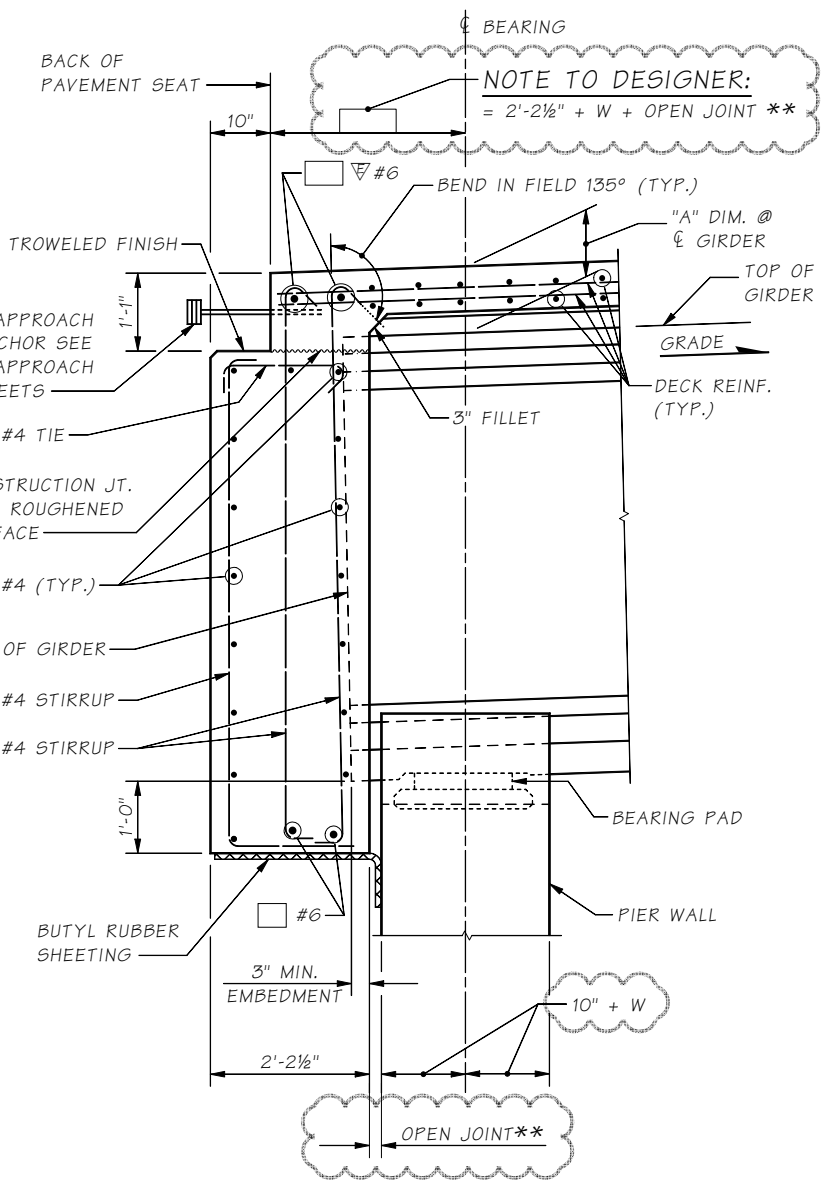
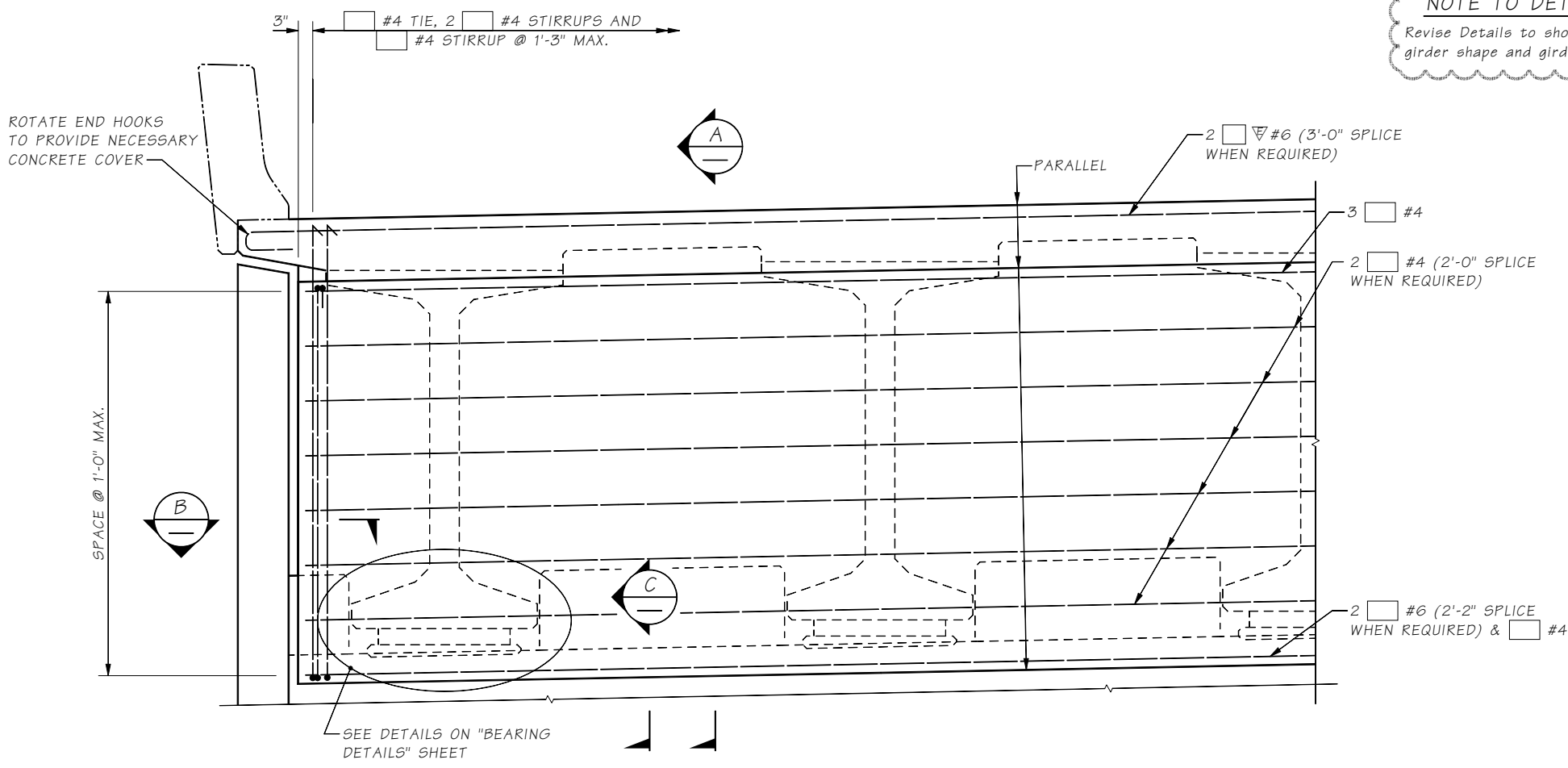


Last revised on : 01/01/2015

SR FILE NO. SHEET NO.

5.0-A4-7

NOTE TO DETAILER:
Revise Details to show correct girder shape and girder spacing.

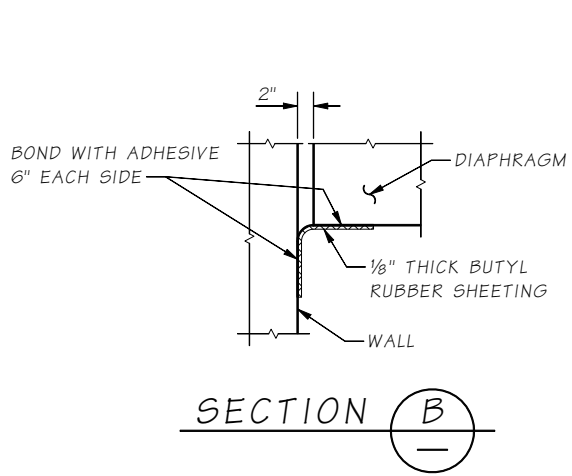


**ELEVATION
END DIAPHRAGM**
DIMENSIONS ARE ALONG \perp DIAPHRAGM

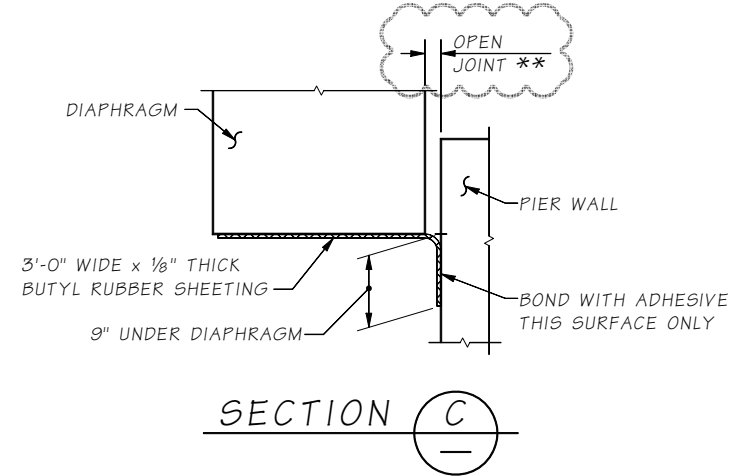
Bridge length	Open Joint
$L \leq 200'$	** = 1.5"
$200' < L \leq 300'$	** = 2.0"
$300' < L \leq 400'$	** = 2.5"
$L > 400'$	Special design

GIRDER	W
WF36G	0"
WF42G	0"
WF50G	1"
WF58G	2"
WF66G	3"
WF74G	4"
WF83G	4"
WF95G	4"
WF100G	5"

NOTE TO DESIGNER:
Insert correct dimension value



SECTION B



SECTION C

SECTION A

SEE GIRDER SHEETS FOR DIMENSION "A".
ALL LONGITUDINAL DIMENSIONS ARE NORMAL TO PIER WALL.

- NOTES:**
- GIRDERS SHALL BE HELD RIGIDLY IN PLACE WHEN DIAPHRAGMS ARE PLACED.
 - CUT/RELEASE GIRDER TEMPORARY STRANDS BEFORE CASTING DIAPHRAGM. SEE TEMPORARY STRAND CUTTING SEQUENCE.
 - EXTENDED STRANDS AND GIRDER REINFORCING NOT SHOWN FOR CLARITY.

Bridge Design Engr.	M:\STANDARDS\Girders\WFI\END DIAPHRAGM.MAN	REGION NO.	STATE	FED. AID PROJ. NO.	SHEET NO.	TOTAL SHEETS
Supervisor		10	WASH.			
Designed By		JOB NUMBER				
Checked By						
Detailed By						
Bridge Projects Engr.						
Prelim. Plan By						
Architect/Specialist		DATE	REVISION	BY	APP'D	

Thu Mar 05 08:05:54 2015

**BRIDGE
AND
STRUCTURES
OFFICE**



**STANDARD
PRESTRESSED CONCRETE GIRDERS**

END DIAPHRAGM DETAILS

BRIDGE SHEET NO.
SHEET
OF
SHEETS