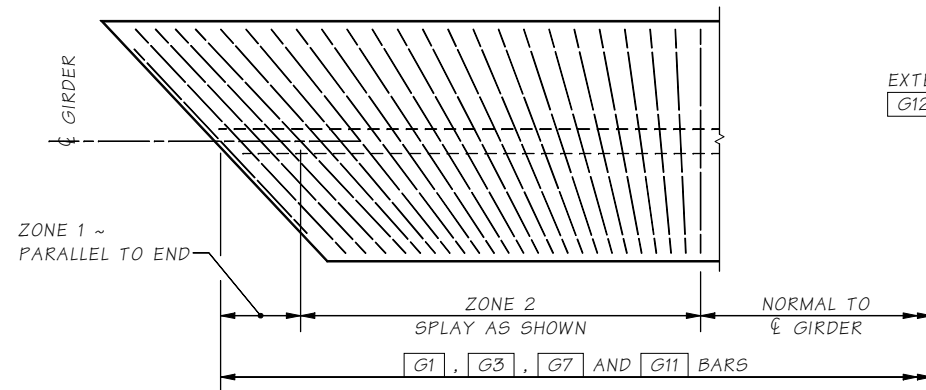


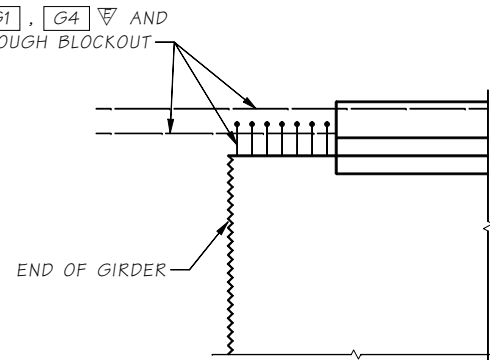
GIRDER REINFORCEMENT NOTES

1. DEFORMED WELDED WIRE REINFORCEMENT MAY BE SUBSTITUTED FOR MILD REINFORCEMENT IN ACCORDANCE WITH STANDARD SPECIFICATION 6-02.3(25)A.



PLAN TRANSVERSE REINFORCING AT SKEWED ENDS

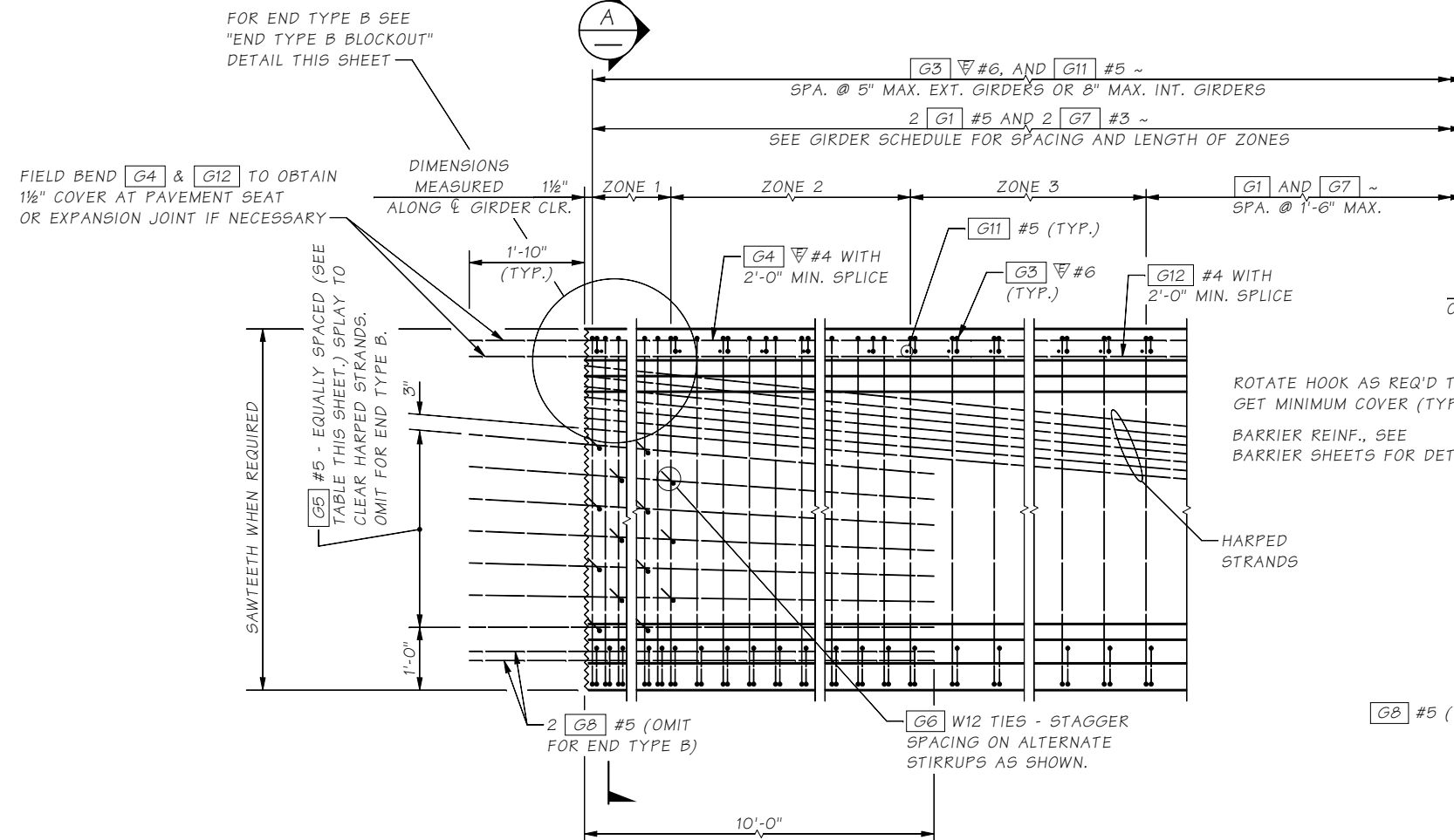
LENGTHS OF G3, G7 AND G11 VARY WITH SKEW. ONLY TRANSVERSE REINFORCEMENT SHOWN.



END TYPE B BLOCKOUT

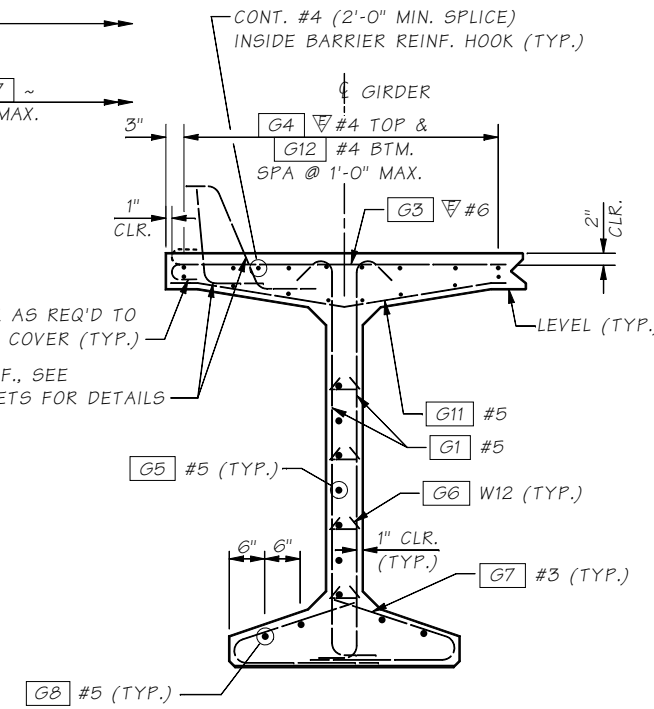
GIRDER SERIES	NO. OF G5 BARS
WF39DG	3
WF45DG	4
WF53DG	5
WF61DG	6
WF69DG	7
WF77DG	7
WF86DG	8
WF98DG	9
WF103DG	10

Note to Designer:
Determine G3 spacing



REINFORCEMENT END ELEVATION

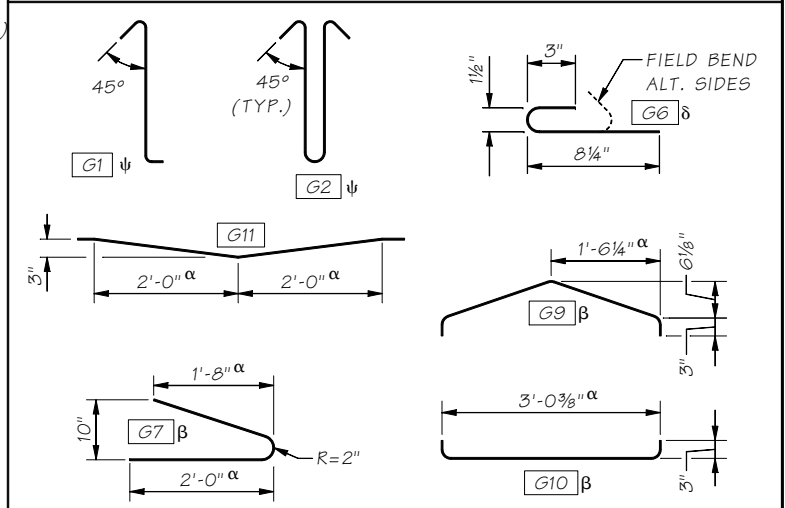
STRAIGHT AND TEMPORARY STRANDS NOT SHOWN FOR CLARITY. WF69DG SHOWN, OTHERS SIMILAR.



SECTION A
STRANDS NOT SHOWN

BENDING DIAGRAM

(ALL DIMENSIONS ARE OUT TO OUT)



α - VARIES FOR SKEWED ENDS.
 δ - #3 OR #4 MAY BE SUBSTITUTED. FIELD BENDING IS OPTIONAL.
 β - PAIRS OF G7 BARS, OR G9 AND G10 BARS, MAY BE USED INTERCHANGEABLY AS BOTTOM FLANGE TIES.
 ψ - 1 G2 MAY BE SUBSTITUTED FOR 2 G1 WITHIN ZONE 1.

Last revised on : 06/21/2017

SHEET NO. 5.6-A6-4

Bridge Design Engr.	M:\STANDARDS\Girders\WFDG\WFDG GIRDER DETAILS 4 OF 4.MAN						
Supervisor							
Designed By							
Checked By							
Detailed By							
Bridge Projects Engr.							
Prelim. Plan By							
Architect/Specialist							
DATE	REVISION	BY	APP'D	REGION NO.	STATE	FED. AID PROJ. NO.	SHEET NO.
				10	WASH.		TOTAL SHEETS
					JOB NUMBER		

BRIDGE AND STRUCTURES OFFICE



STANDARD PRESTRESSED CONCRETE GIRDERS

WF DECK GIRDER
DETAILS 4 OF 4

BRIDGE SHEET NO. OF SHEETS