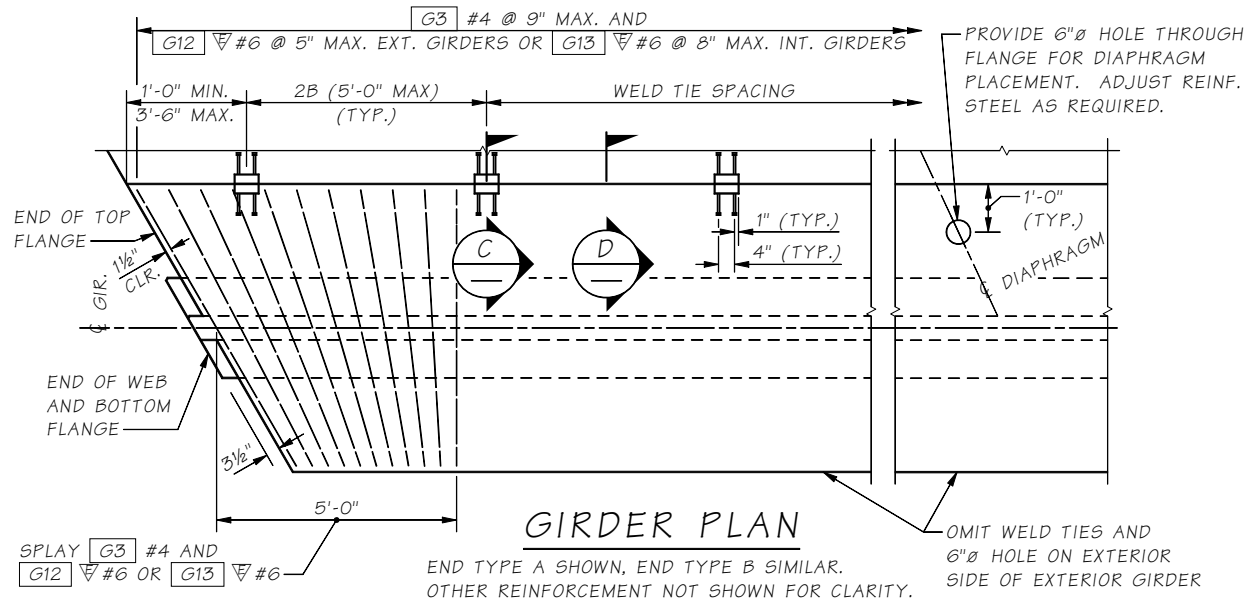


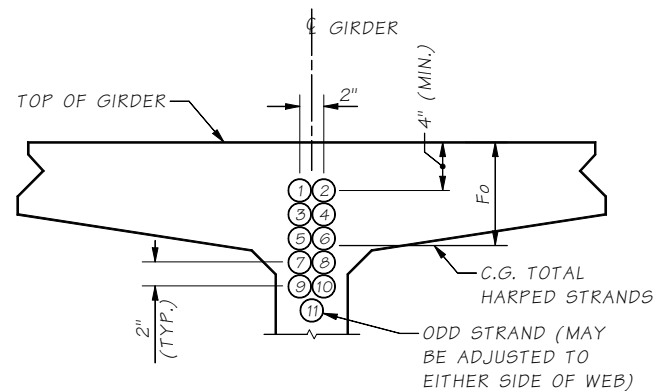
**GIRDER SCHEDULE LEGEND**

LL AND LT ARE SHIPPING SUPPORT LOCATIONS AT LEADING AND TRAILING ENDS, RESPECTIVELY.



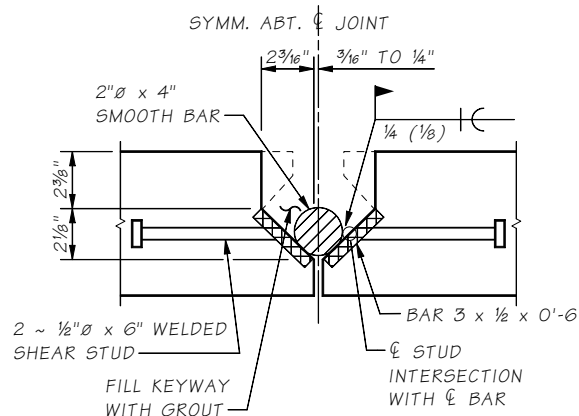
**GIRDER PLAN**

END TYPE A SHOWN, END TYPE B SIMILAR. OTHER REINFORCEMENT NOT SHOWN FOR CLARITY.



**STRAND PATTERN AT GIRDER END**

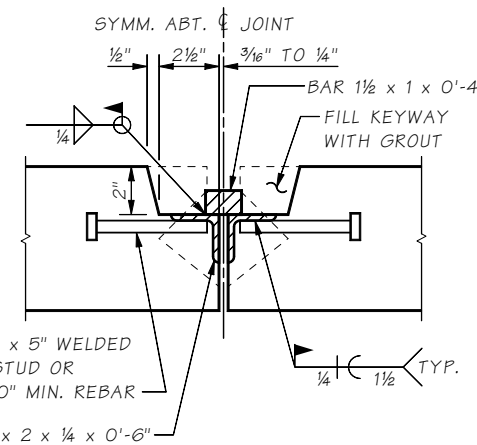
HARPED STRAND LOCATION SEQUENCE SHALL BE AS SHOWN ①, ② ETC.



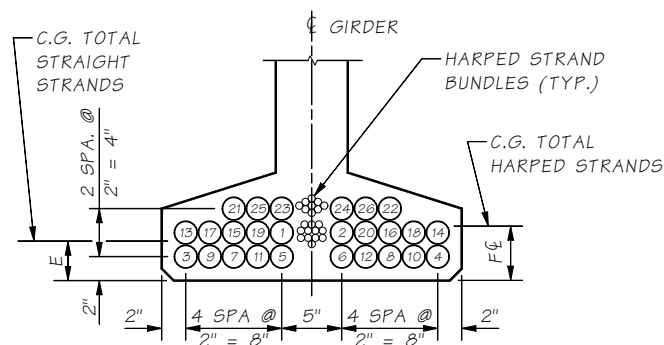
**ALTERNATE 1**

**SECTION C**

WELD TIE

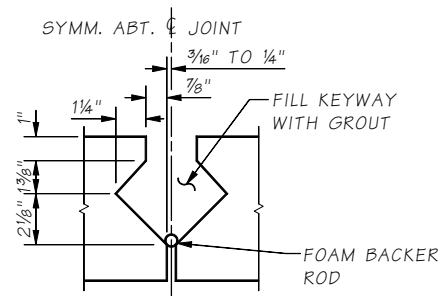


**ALTERNATE 2**



**STRAND PATTERN AT CENTER SPAN**

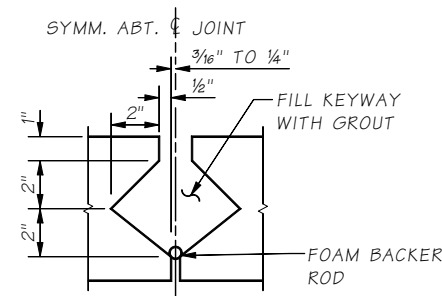
STRAIGHT STRAND LOCATION SEQUENCE SHALL BE AS SHOWN ①, ② ETC.



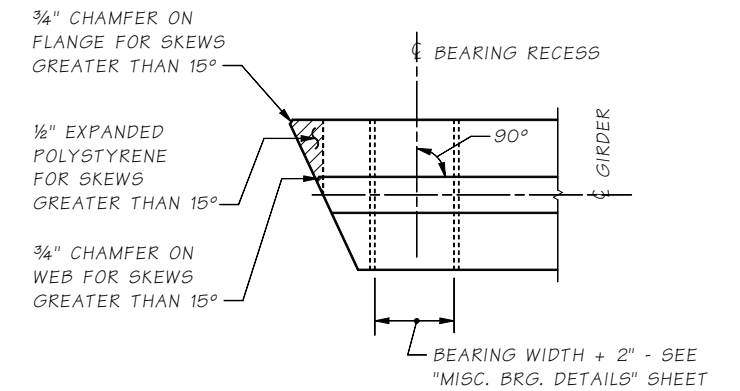
**ALTERNATE 1**

**SECTION D**

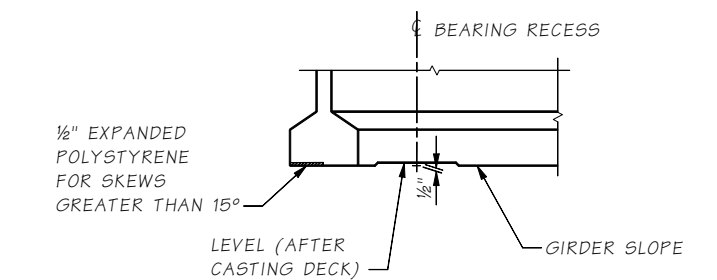
KEYWAY



**ALTERNATE 2**



**PLAN**



**ELEVATION**

**BEARING RECESS AND BOTTOM FLANGE SPALL PROTECTION DETAIL**

Last revised on : 06/22/2011

SR FILE NO. SHEETS

5.6-A7-3

Bridge Design Engr.	M:\STANDARDS\Girders\Deck Bulb Tee\DBT DETAILS 2 OF 2.MAN	REGION NO.	STATE	FED. AID PROJ. NO.	SHEET NO.	TOTAL SHEETS
Supervisor		10	WASH.			
Designed By		JOB NUMBER				
Checked By						
Detailed By						
Bridge Projects Engr.						
Prelim. Plan By						
Architect/Specialist	DATE	REVISION	BY	APP'D		

**BRIDGE AND STRUCTURES OFFICE**



**STANDARD PRESTRESSED CONCRETE GIRDERS**

DECK BULB TEE GIRDER DETAILS 2 OF 2

BRIDGE SHEET NO.  
SHEET  
OF  
SHEETS