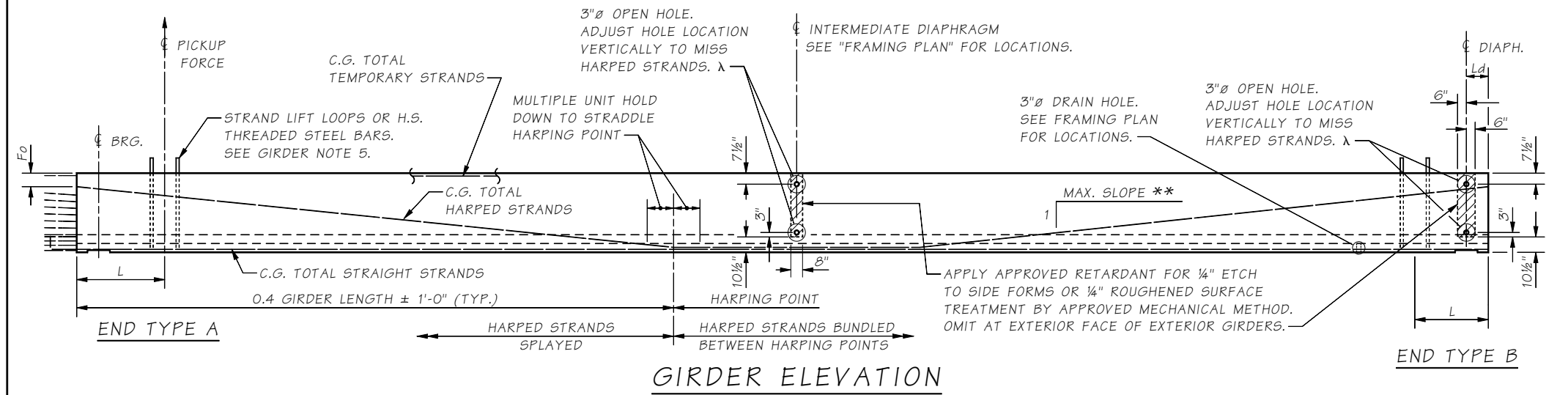


Last revised on : 7/7/2011

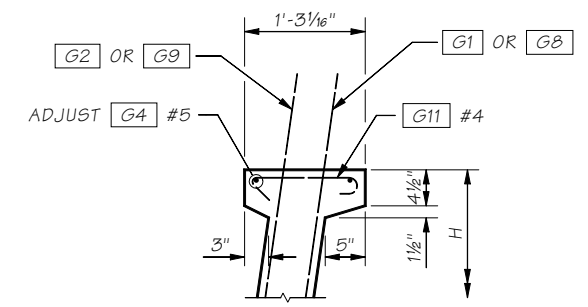
SR FILE NO. SHEET 5.6-A9-2



GIRDER ELEVATION

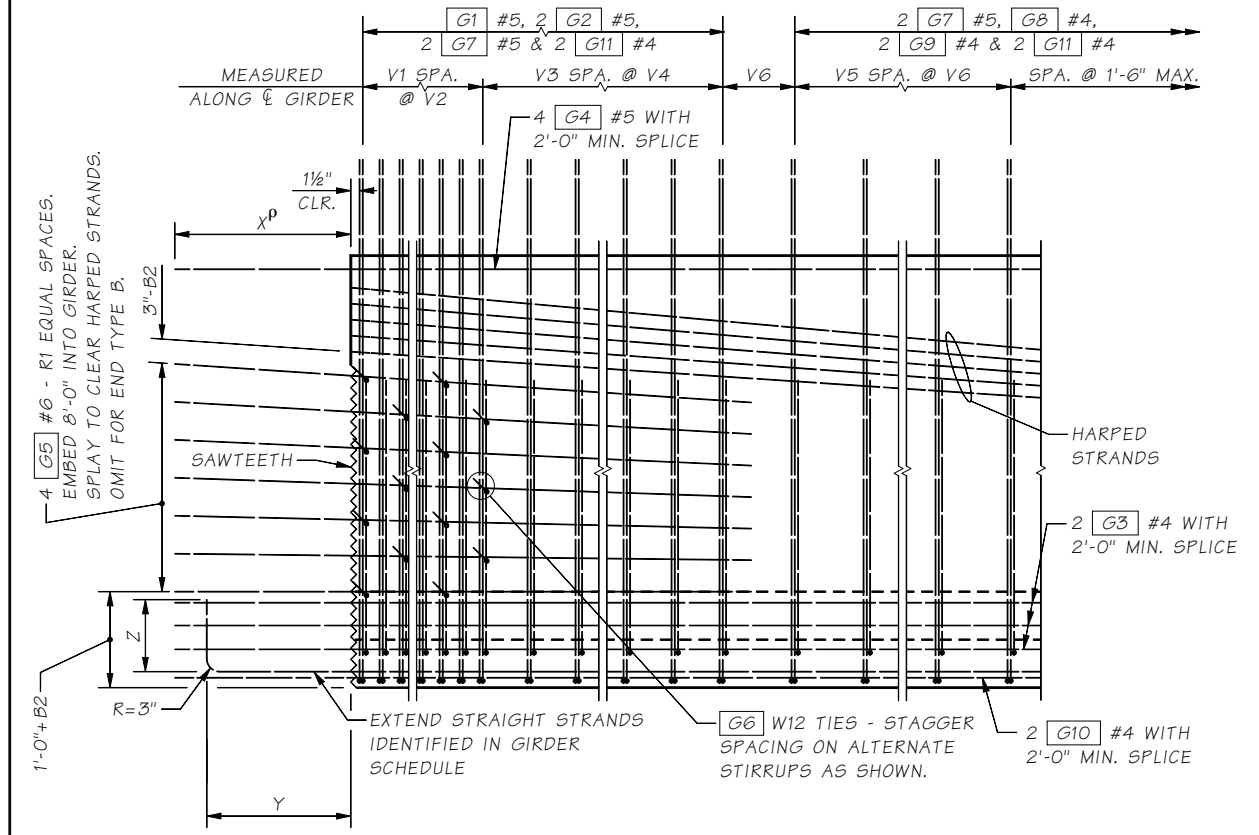
GIRDER SERIES TABLE

GIRDER SERIES	H GIRDER HEIGHT	W GIRDER SOFFIT WIDTH	TOP FLANGE	R1 EQUAL SPACES FOR [G5]
U54G4	4'-6"	4'-0"	NO	6
U54G5	4'-6"	5'-0"	NO	6
U66G4	5'-6"	4'-0"	NO	8
U66G5	5'-6"	5'-0"	NO	8
U78G4	6'-6"	4'-0"	NO	10
U78G5	6'-6"	5'-0"	NO	10
UF60G4	5'-0"	4'-0"	YES	7
UF60G5	5'-0"	5'-0"	YES	7
UF72G4	6'-0"	4'-0"	YES	9
UF72G5	6'-0"	5'-0"	YES	9
UF84G4	7'-0"	4'-0"	YES	11
UF84G5	7'-0"	5'-0"	YES	11



TOP FLANGE DETAIL

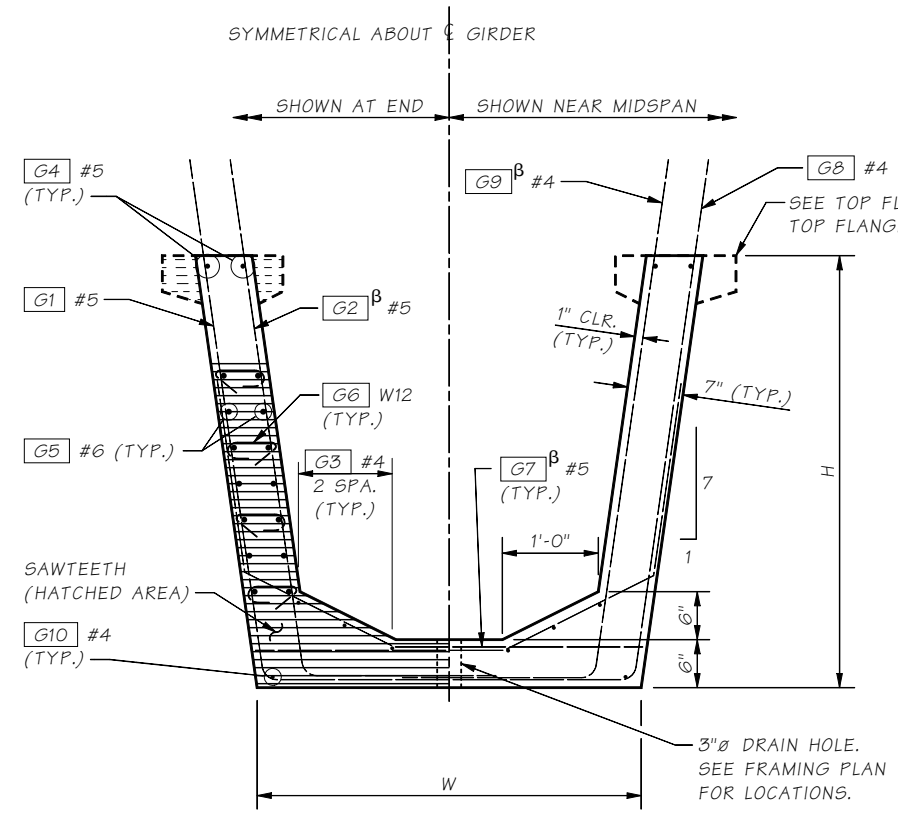
** - 8 : 1 MAXIMUM SLOPE FOR EACH HARPED STRAND
 λ - SEE GIRDER NOTE 9.
 β - ADJUST BAR POSITION THROUGH STRANDS



TYPICAL END ELEVATION

END TYPE C SHOWN, OTHER END TYPES SIMILAR.
 U54G4 SHOWN, OTHER SERIES SIMILAR.

^p X DIMENSION SHALL BE 1'-4" FOR [G4] AT END TYPE A ONLY.



TYPICAL SECTION

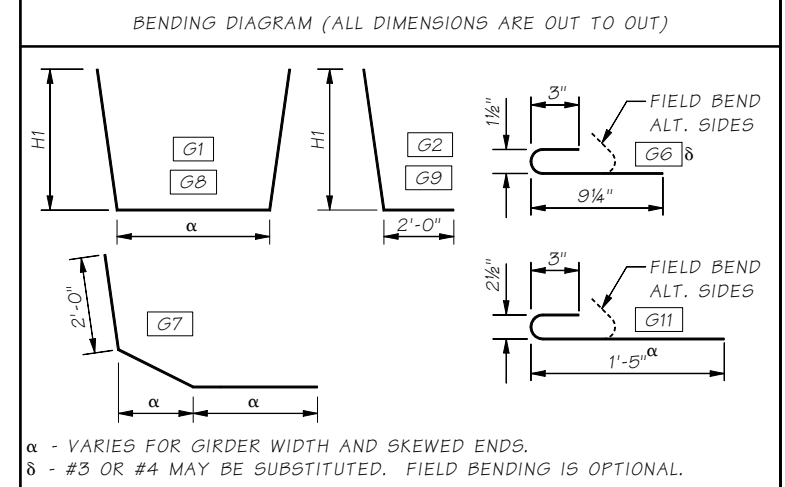
STRANDS NOT SHOWN.
 U54G4 SHOWN, OTHER SERIES SIMILAR.

END TYPE PROPERTIES

END TYPE	BEARING RECESS	X	Y	Z	SAWTEETH
A	YES	1'-10" ^p	1'-6"	9"	YES
B	YES	0"	0"	0"	NO
C	NO	1'-10"	1'-6"	9"	YES
D	NO	1'-10"	SEE "STRAND EXTENSION DETAIL"		YES

BAR END PLACEMENT FOR END TYPE C

ENDS AHEAD ON STATION	ENDS BACK ON STATION
B2 = 0" FOR [G5]	B2 = 2" FOR [G5]



α - VARIES FOR GIRDER WIDTH AND SKEWED ENDS.
 δ - #3 OR #4 MAY BE SUBSTITUTED. FIELD BENDING IS OPTIONAL.

Bridge Design Engr.	M:\STANDARDS\Girders\Trapezoidal Tubs\TUB GIRDER DETAILS 1 OF 3.MAN	REGION NO.	STATE	FED. AID PROJ. NO.	SHEET NO.	TOTAL SHEETS
Supervisor		10	WASH.			
Designed By		JOB NUMBER				
Checked By						
Detailed By						
Bridge Projects Engr.						
Prelim. Plan By						
Architect/Specialist	DATE	REVISION	BY	APPD.		

Tue Mar 10 12:54:39 2015

BRIDGE AND STRUCTURES OFFICE



STANDARD PRESTRESSED CONCRETE GIRDERS

TUB GIRDER DETAILS 1 OF 3

BRIDGE SHEET NO.
SHEET
OF
SHEETS