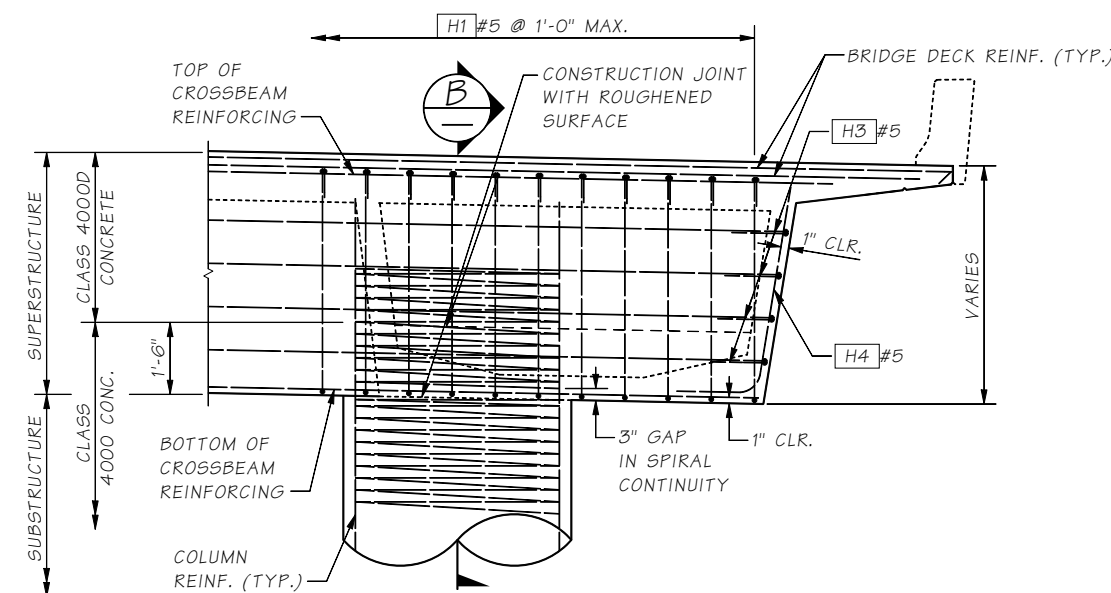


SKEWED

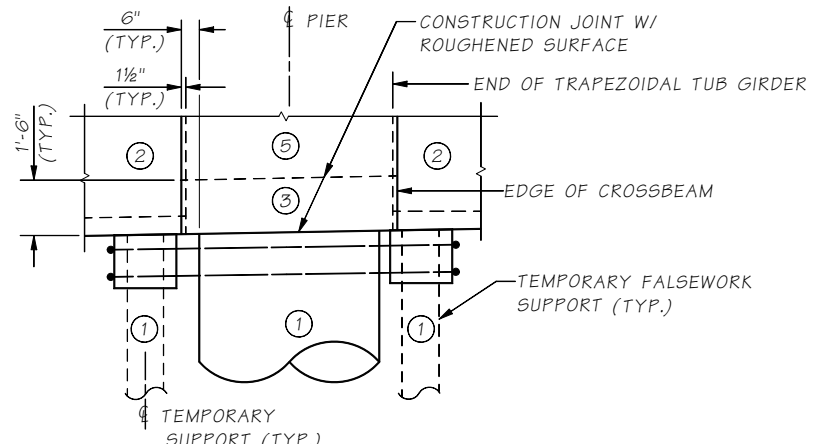
PLAN

NO SKEW

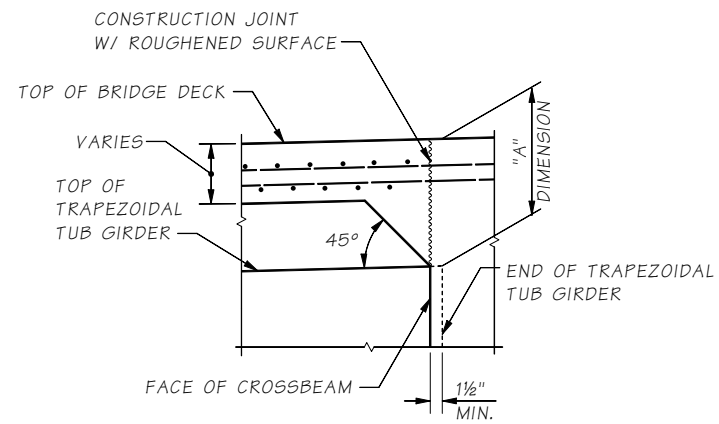
FOR EXTENDED STRAND DETAIL SEE GIRDER SHEET 3.



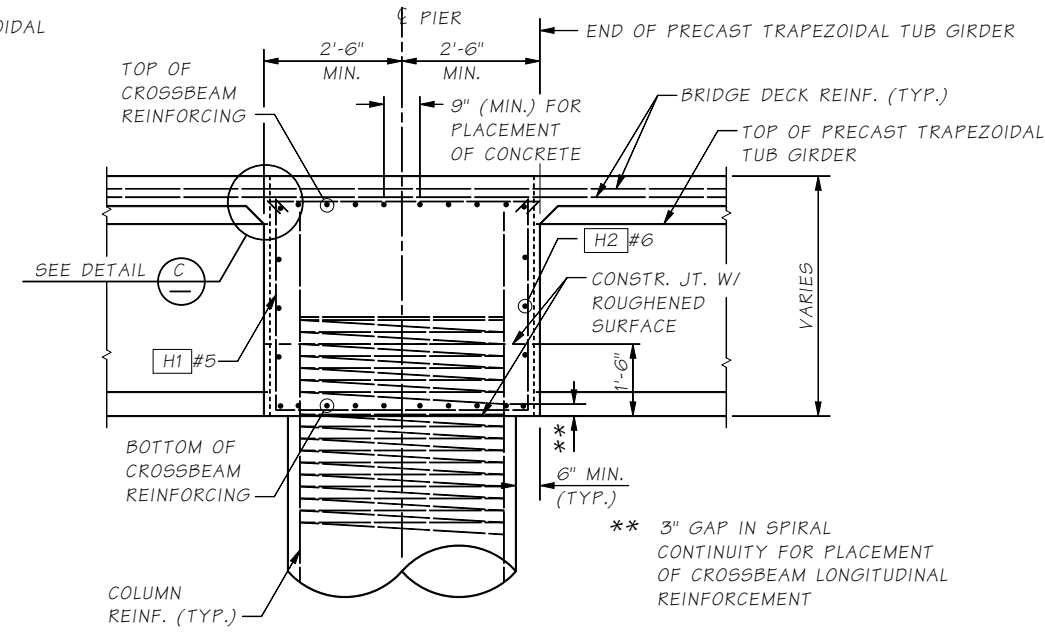
SECTION A



TEMPORARY SUPPORT DETAIL



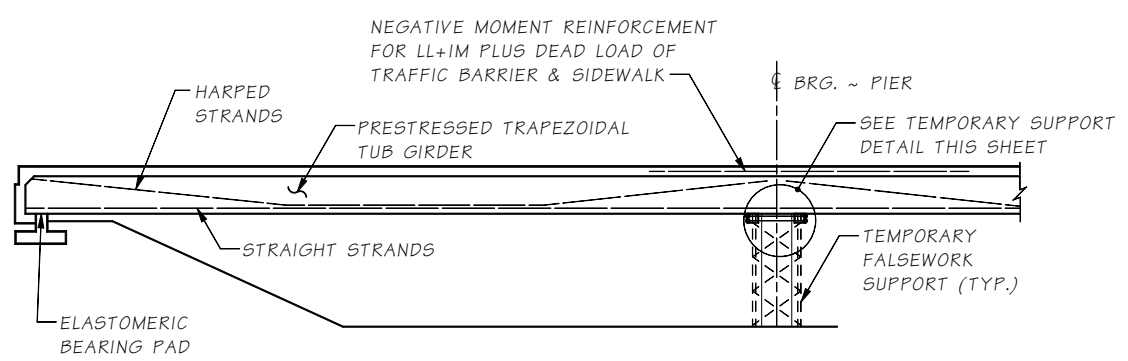
DETAIL C



SECTION B

CONSTRUCTION SEQUENCE

- ① COLUMN & TEMP. SUPPORT
- ② PLACE GIRDER ON TEMPORARY SUPPORT
- ③ CAST DIAPHRAGM STAGE 1
- ④ CAST ROADWAY SLAB
- ⑤ COMPLETE DIAPHRAGM
- ⑥ REMOVE TEMPORARY SUPPORT



ELEVATION

SR JOB NO. 8-44-6.9

Bridge Design Engr.	M:\STANDARDS\Girders\PT Trapezoidal Tubs\PT_TRAPEZOIDAL TUB RAISED CROSSBEAM.MAN						
Supervisor							
Designed By			REGION NO.	STATE	FED. AID PROJ. NO.	SHEET NO.	TOTAL SHEETS
Checked By			10	WASH.			
Detailed By			JOB NUMBER				
Bridge Projects Engr.							
Prelim. Plan By							
Architect/Specialist	DATE	REVISION	BY	APP'D			

Fri Mar 06 10:50:37 2015

BRIDGE AND STRUCTURES OFFICE



STANDARD PRESTRESSED CONCRETE GIRDERS

TUB SPLICED GIRDER RAISED CROSSBEAM DETAILS

BRIDGE SHEET NO.
SHEET
OF
SHEETS