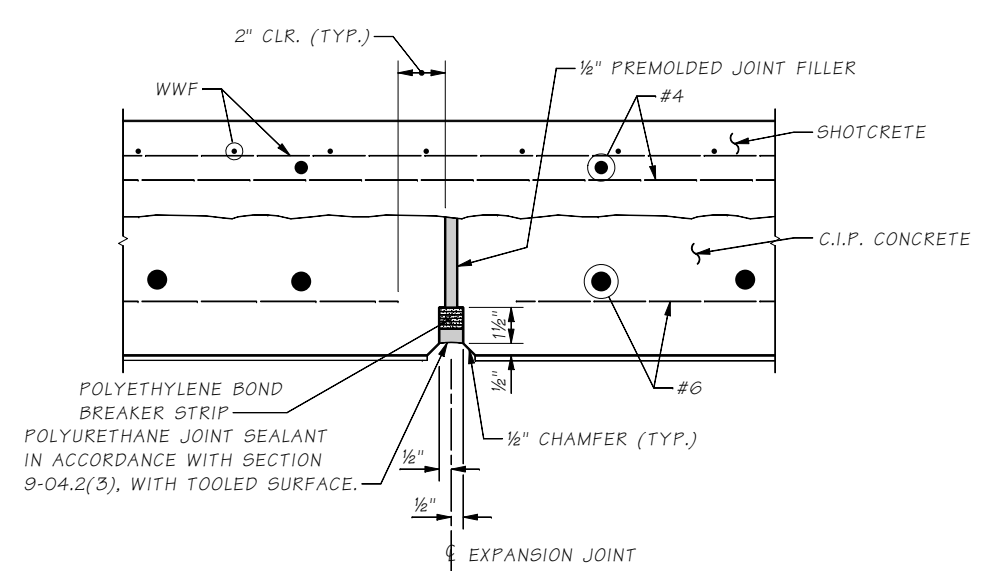
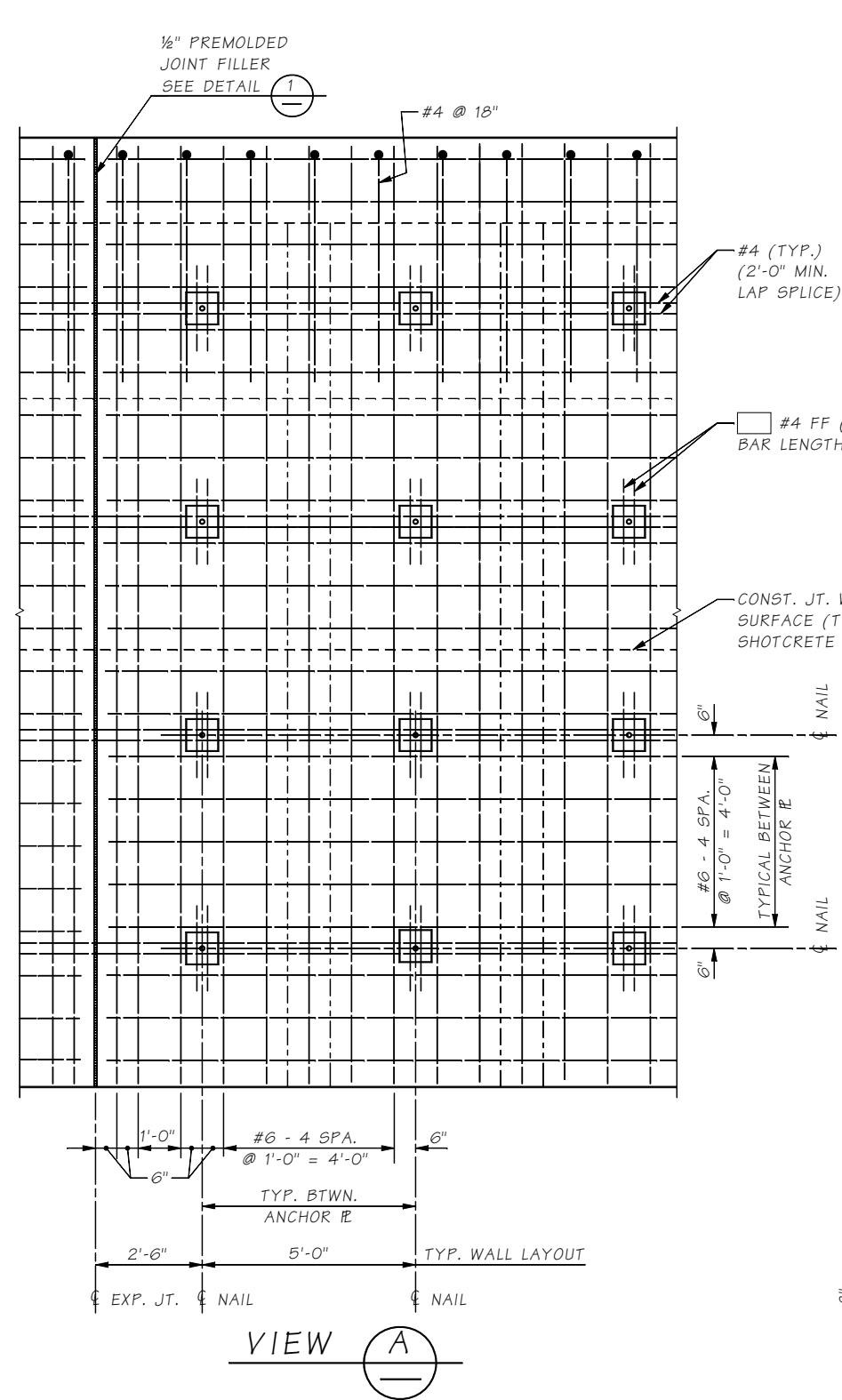
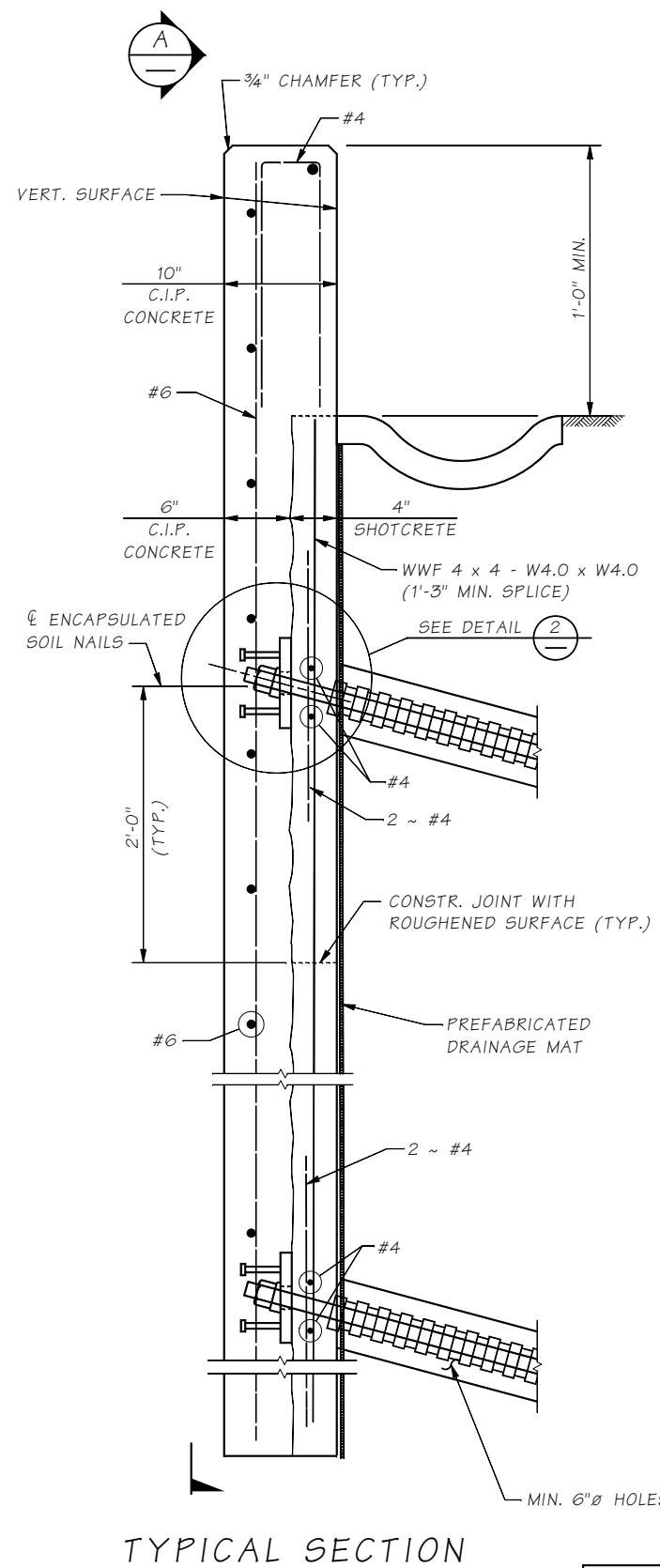
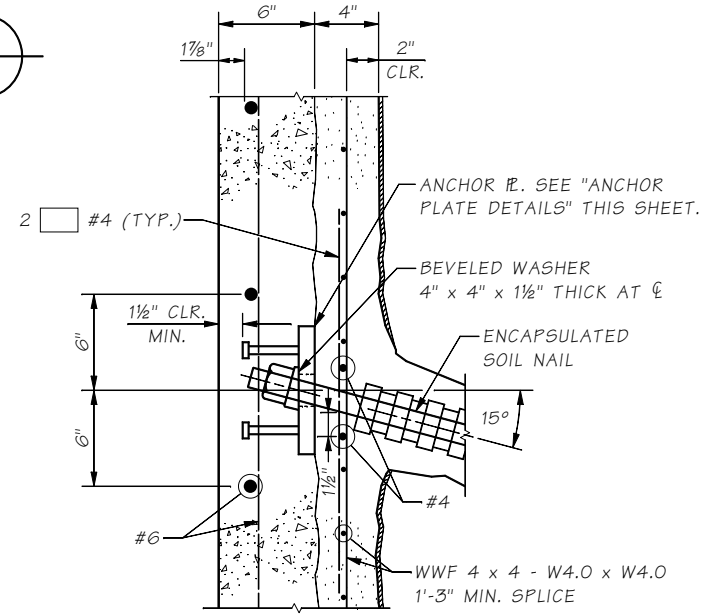


Last revised on : 2/5/2016

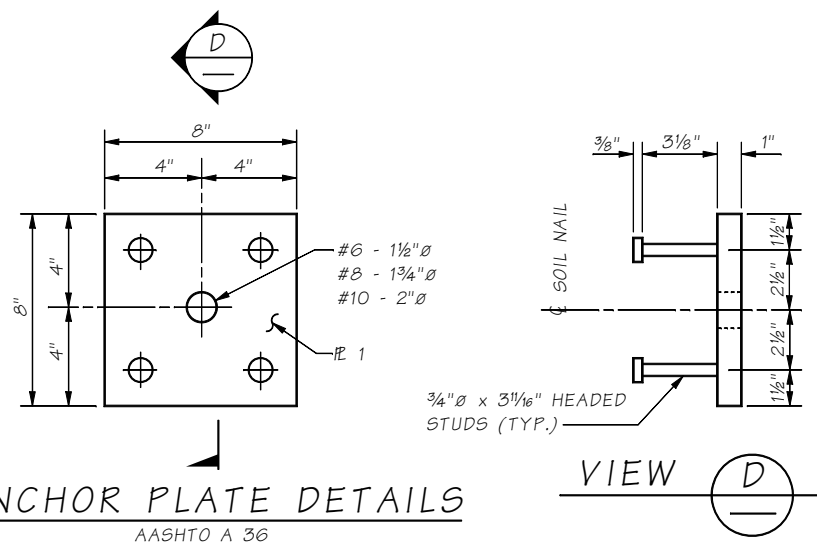
SHEET NO. 8.1-A4-4



DETAIL 1



DETAIL 2



VIEW D

FASCIA WALL REINFORCEMENT
WWF NOT SHOWN FOR CLARITY

ENCAPSULATED SOIL NAILS TO BE USED WHEN RECOMMENDED BY THE GEOTECH

Bridge Design Engr.	M:STANDARD	W:Wall	S:SOIL NAIL	F: FASCIA	E: ENCAPSULATED	M: MAN
Supervisor						
Designed By						
Checked By						
Detailed By						
Bridge Projects Engr.						
Prelim. Plan By						
Architect/Specialist						
DATE	REVISION	BY	APP'D			

BRIDGE AND STRUCTURES OFFICE 	SOIL NAIL WALL DETAILS 4 of 4	BRIDGE SHEET NO.
		SHEET OF SHEETS