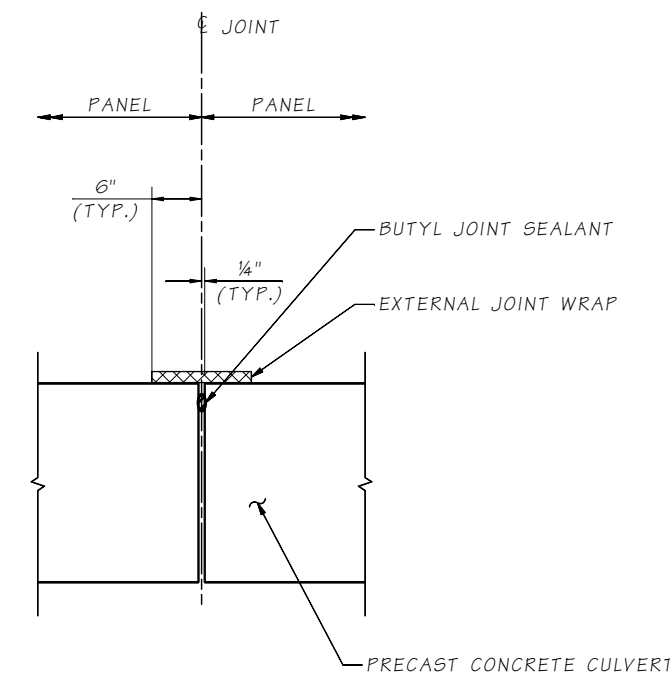
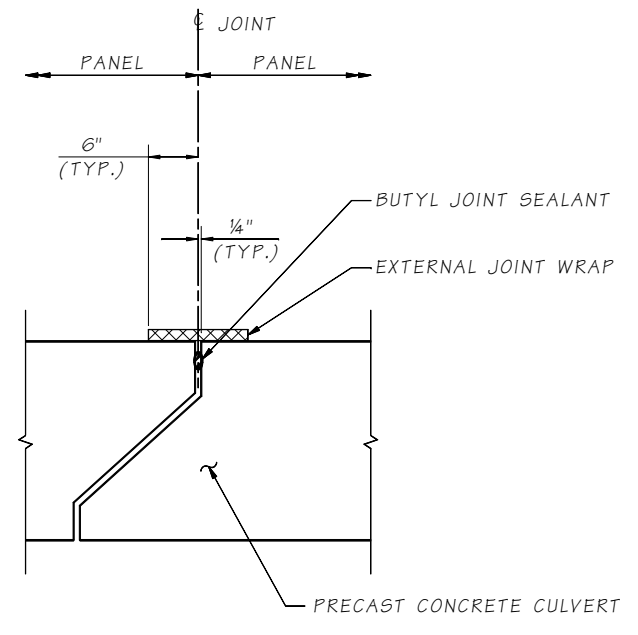


PLAN

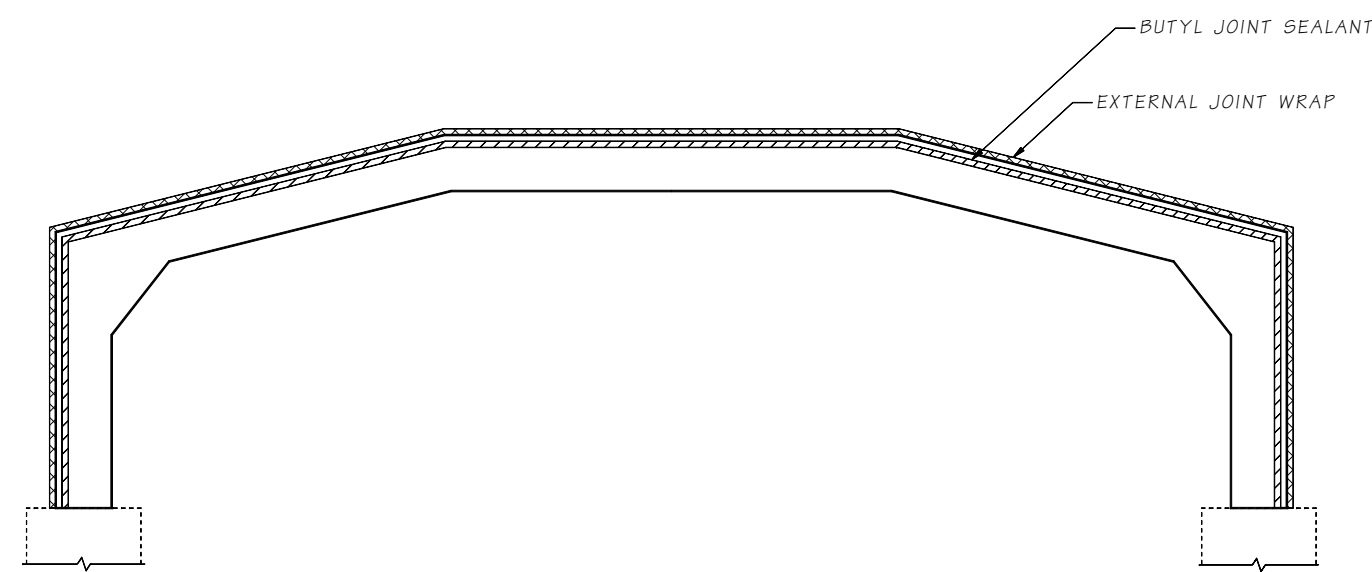
3 PANELS SHOW (NOT PROJECT SPECIFIC)



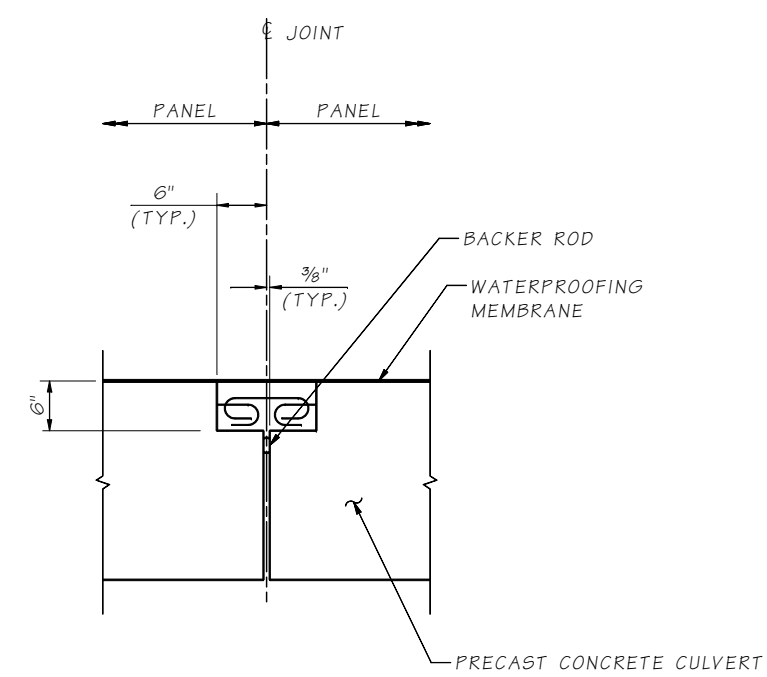
JOINT SEALANT  
(OVER WATER ONLY)



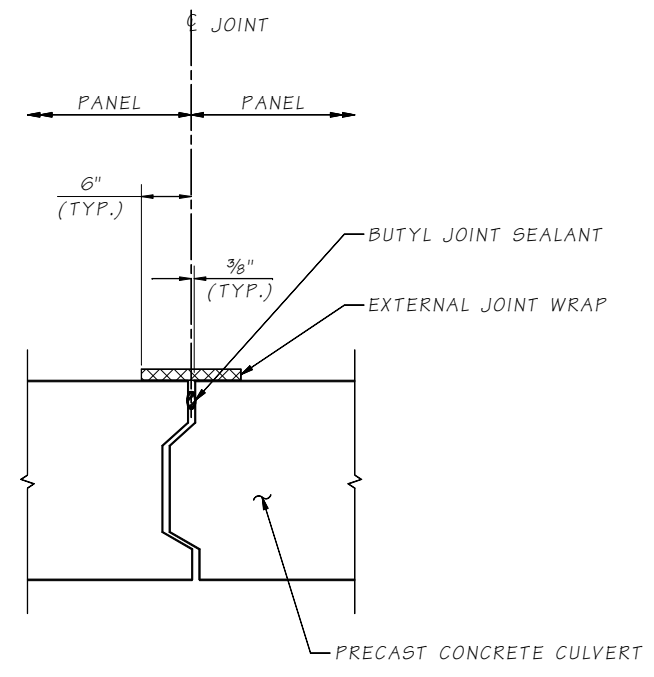
TONGUE-GROOVE  
(OVER WATER ONLY)



SECTION A



CLOSURE POUR  
(OVER ROADS)  
WATER PROOFING MEMBRANE MIGHT BE REQUIRED



SHEAR KEY  
(OVER WATER ONLY)

SECTION B

JOINT DETAIL OPTIONS

THESE CONNECTION DETAILS ARE SUGGESTED ONLY. THERE ARE OTHER CONNECTION DETAILS THAT CAN BE USED.

SHEET NO. 8.3.2-A7

Bridge Design Engr.	M:\STANDARDS\Buried Structures\3-SIDED PRECAST CULVERT\8.3.2-A7 PANEL JOINT CONNECTION DETAILS.MAN							SHEET NO.	TOTAL SHEETS
Supervisor			REGION NO.	STATE	FED. AID PROJ. NO.				
Designed By			10	WASH.					
Checked By			JOB NUMBER						
Detailed By									
Bridge Projects Engr.									
Prelim. Plan By									
Architect/Specialist	DATE	REVISION	BY	APPD					

BRIDGE AND STRUCTURES OFFICE



3-SIDED PRECAST CULVERT  
PANEL JOINT CONNECTION DETAILS

BRIDGE SHEET NO.  
SHEET  
OF  
SHEETS